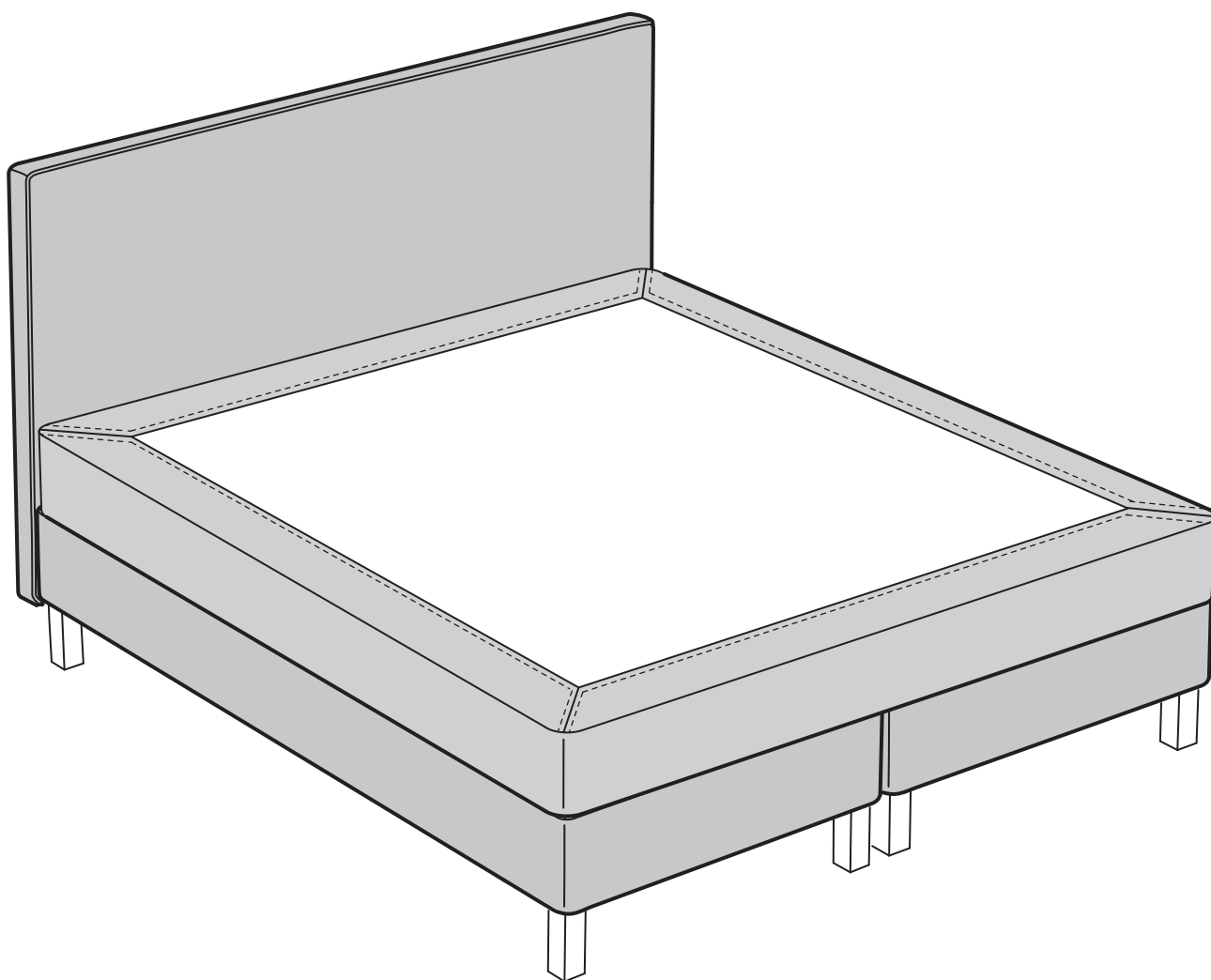
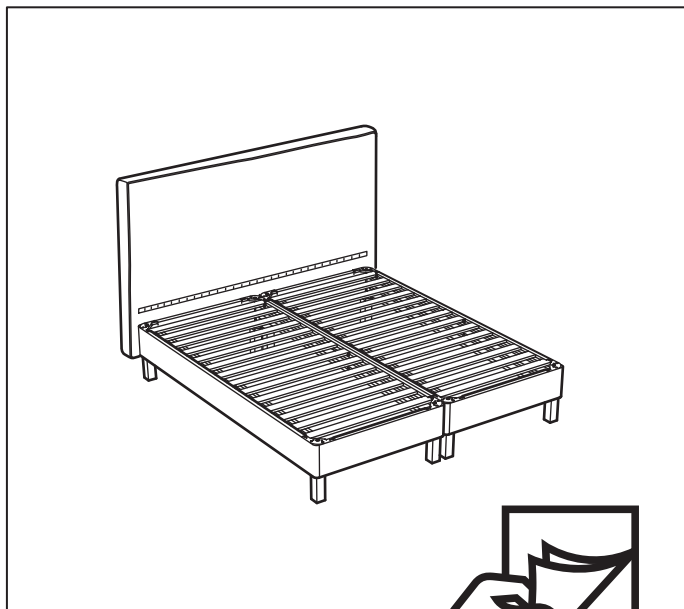
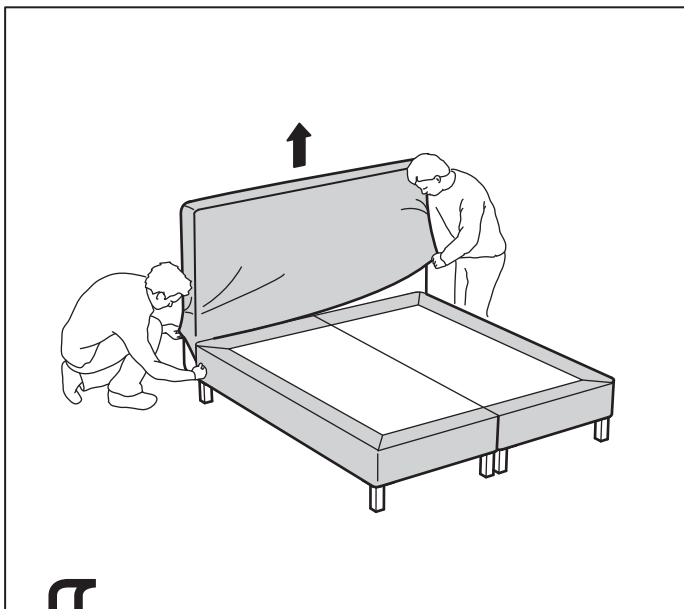


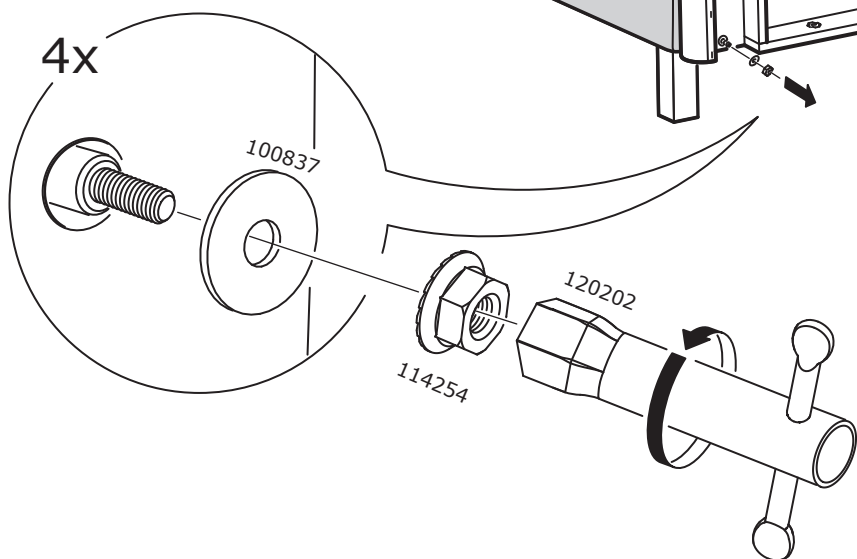
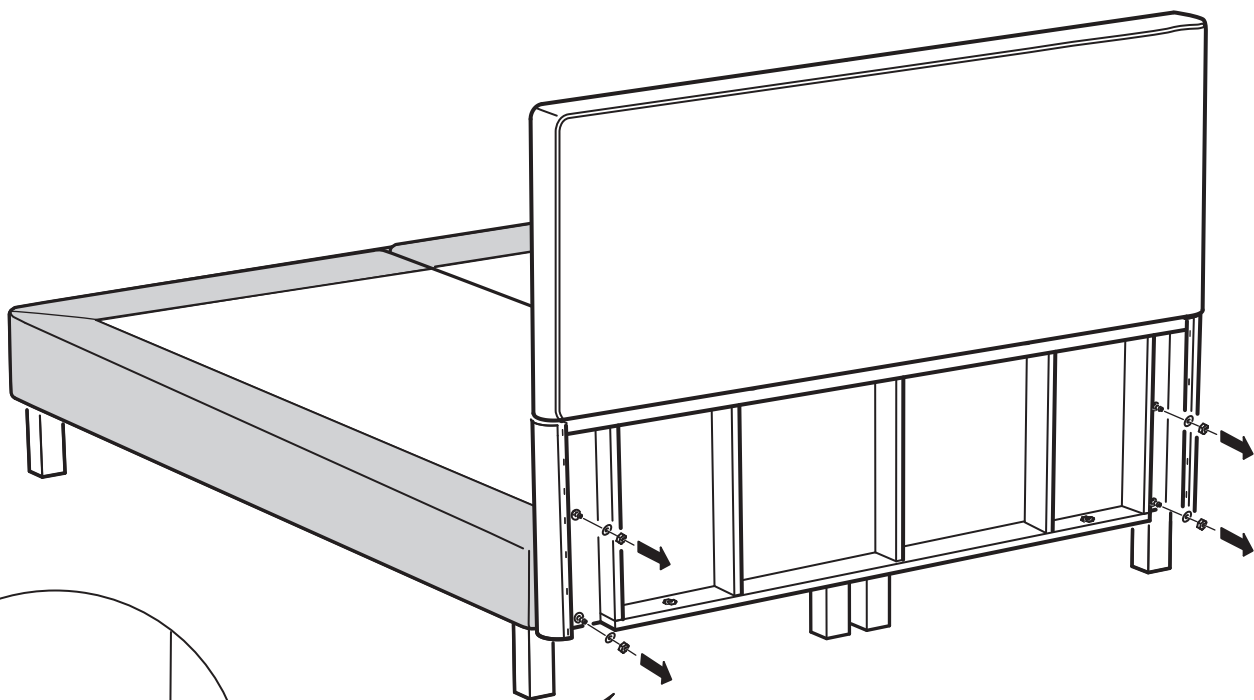
# DUNVIK



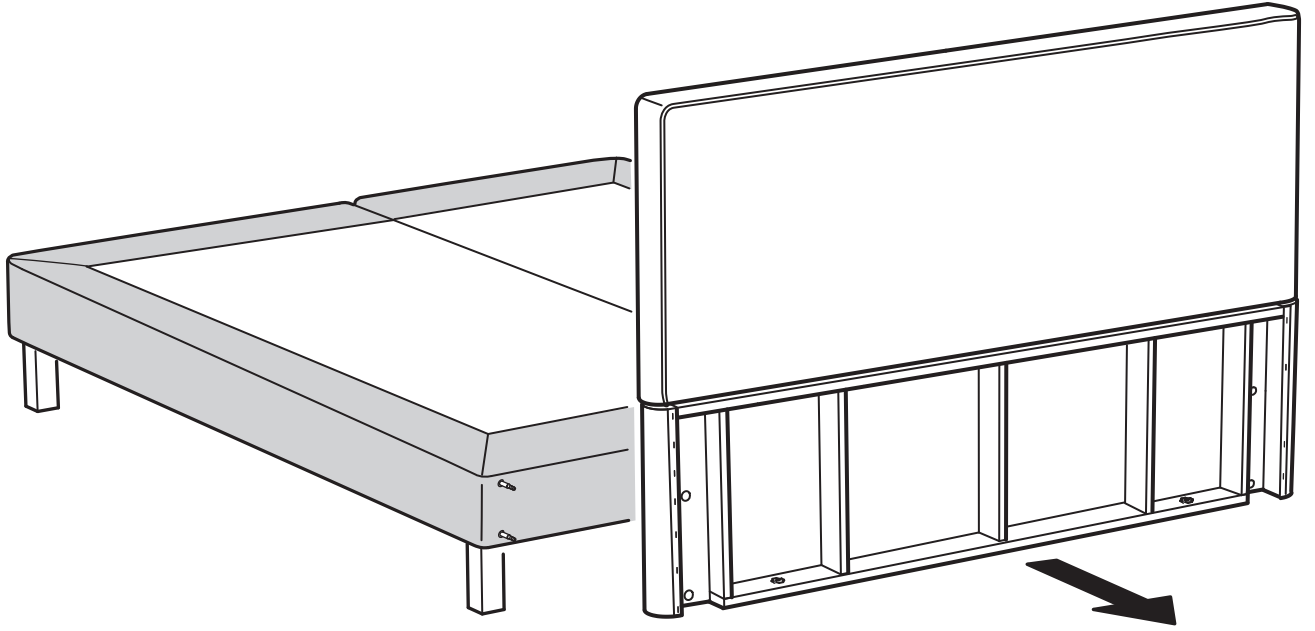
Design and Quality  
IKEA of Sweden



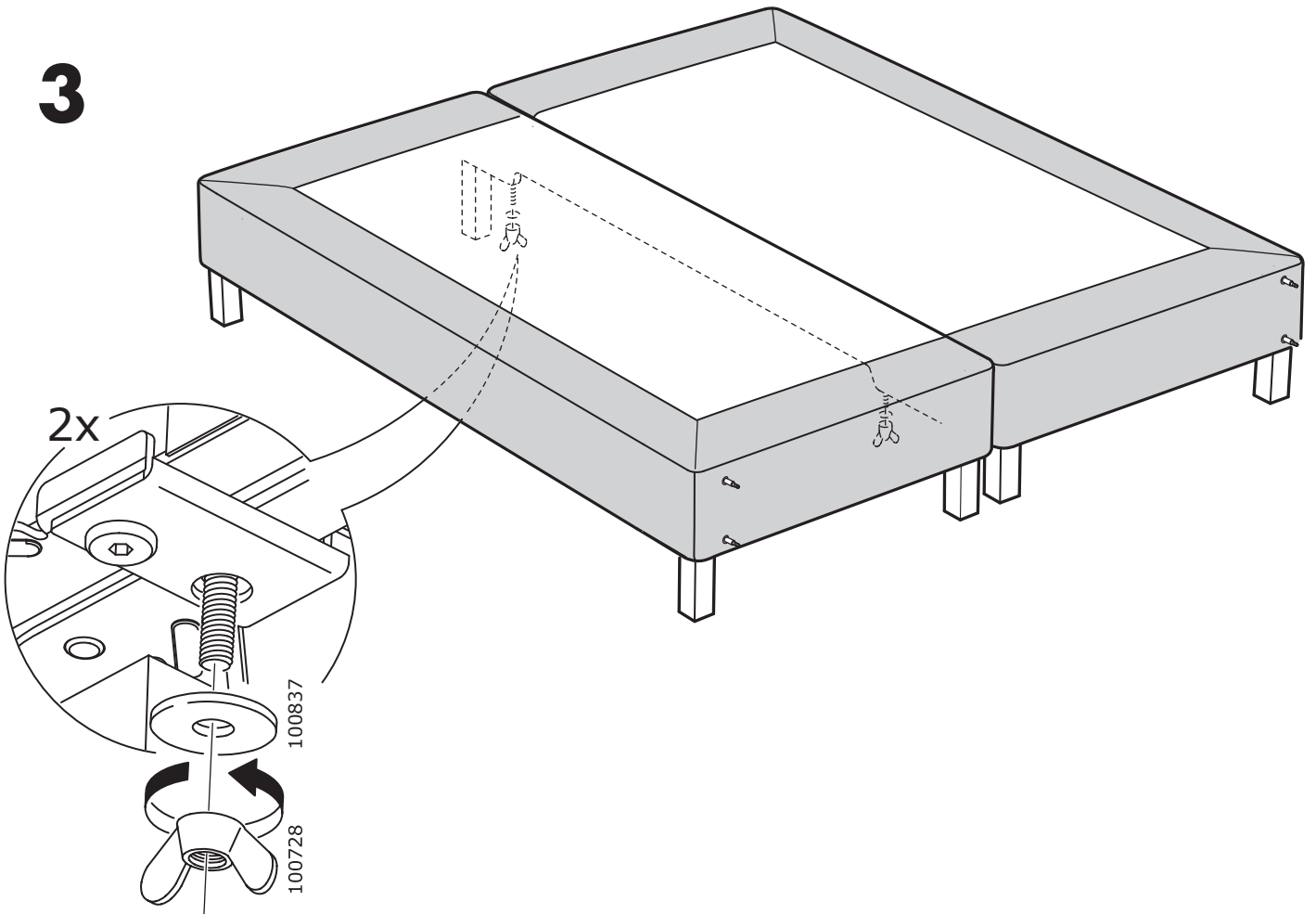
1



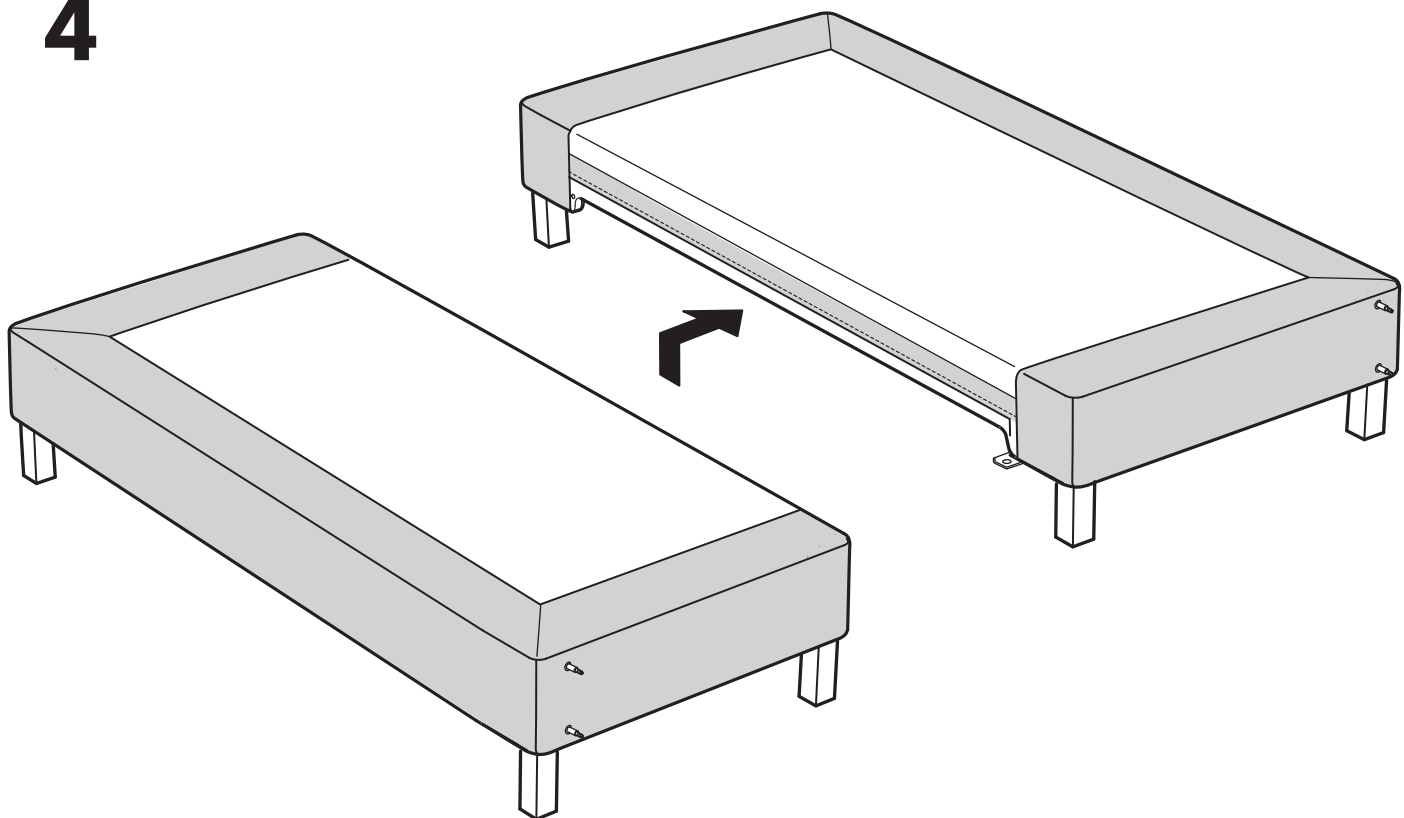
**2**



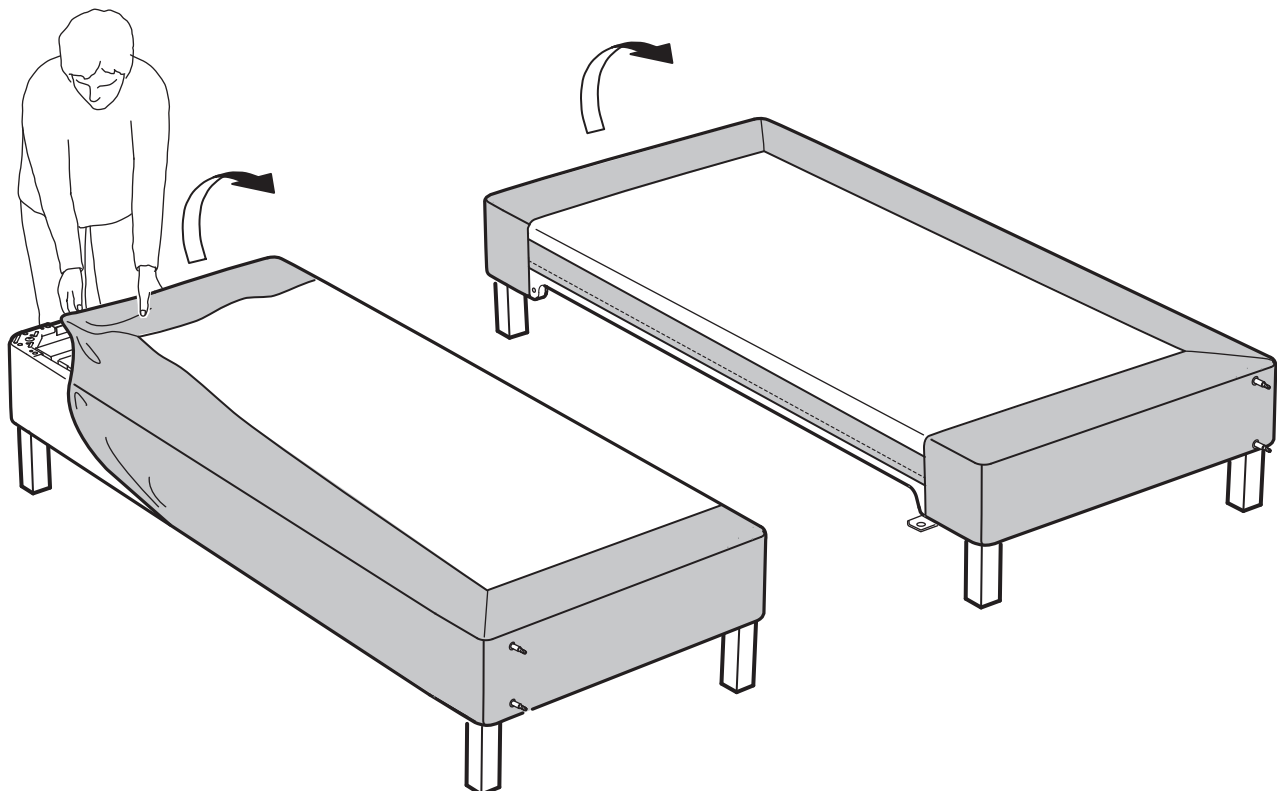
**3**

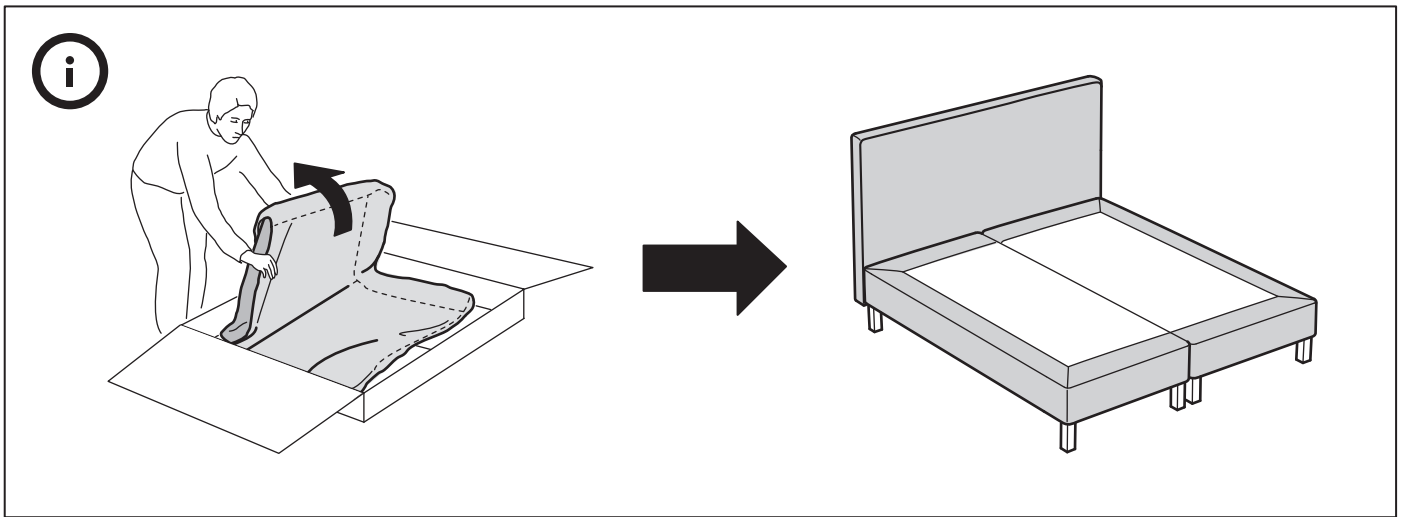


4

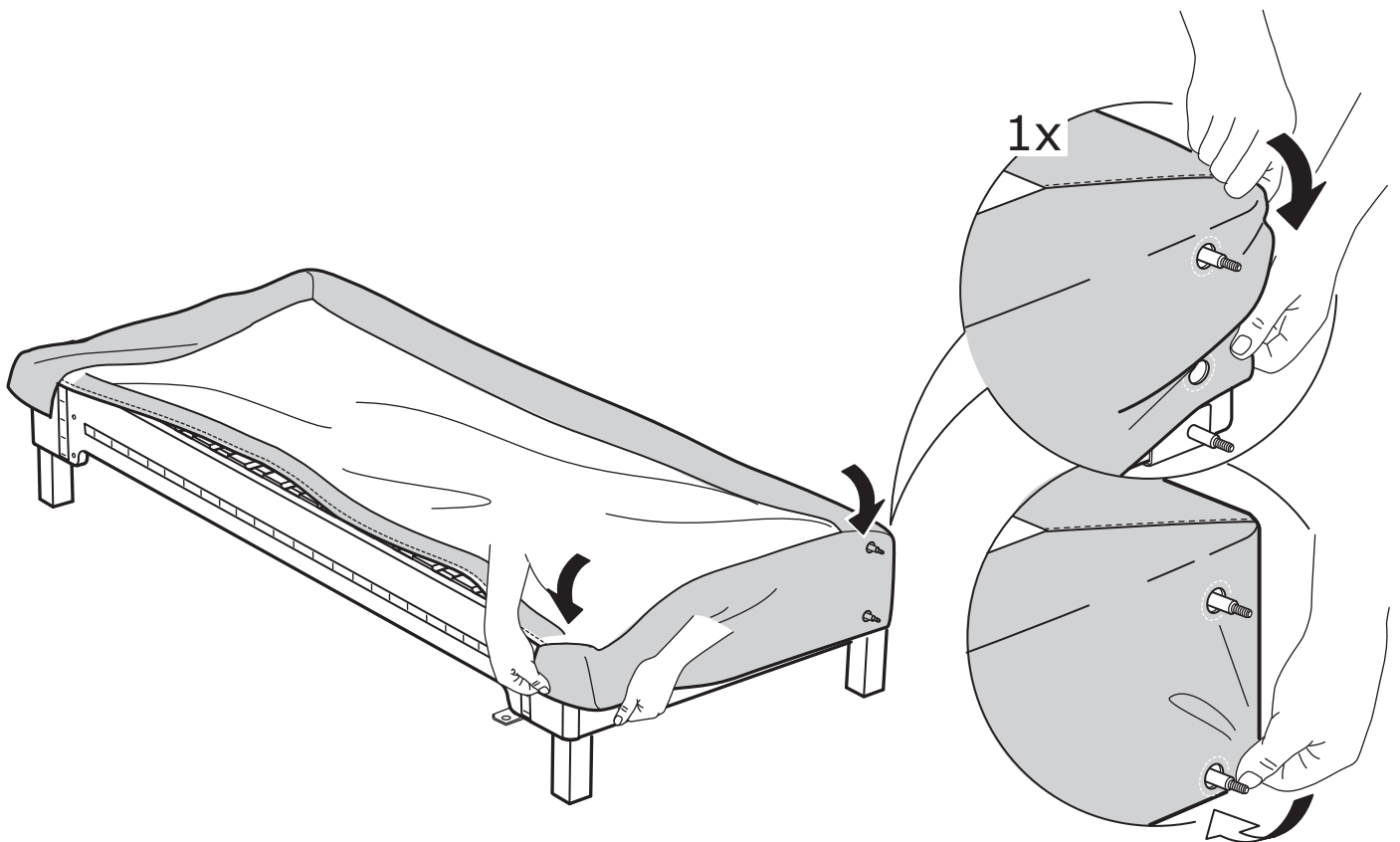
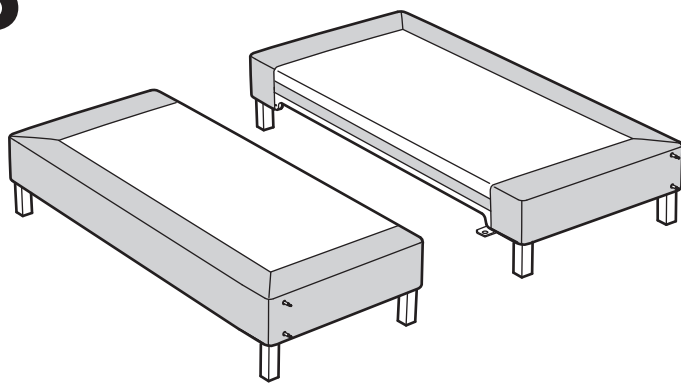


5

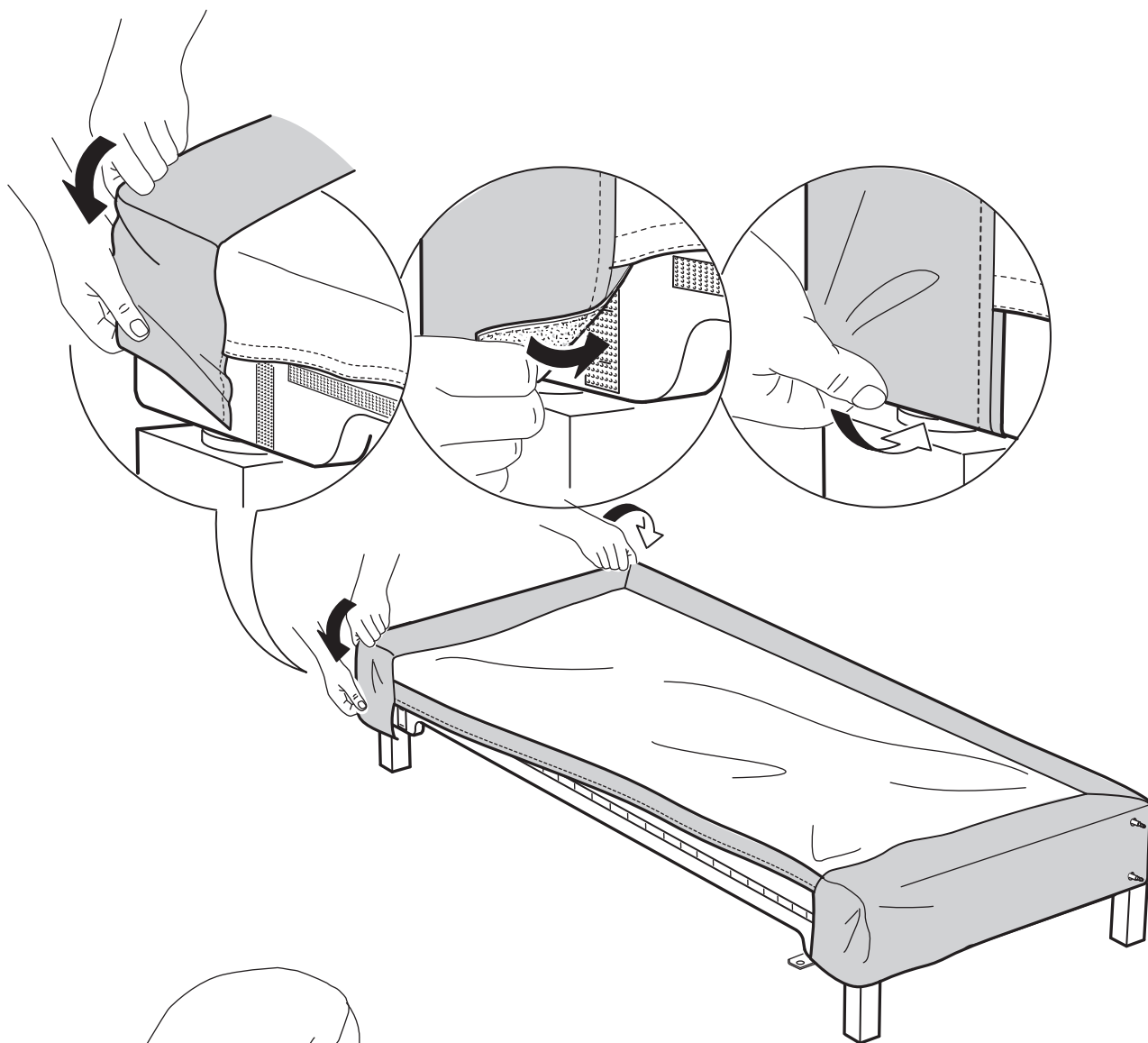




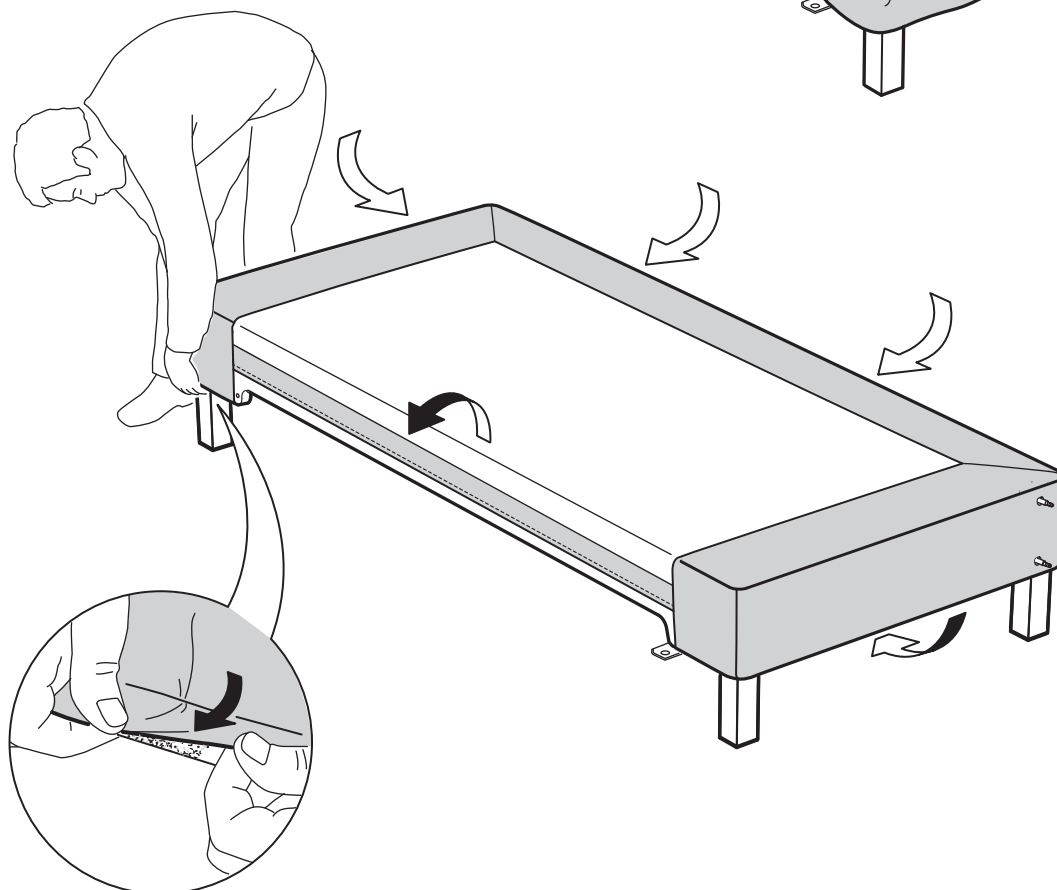
**6**



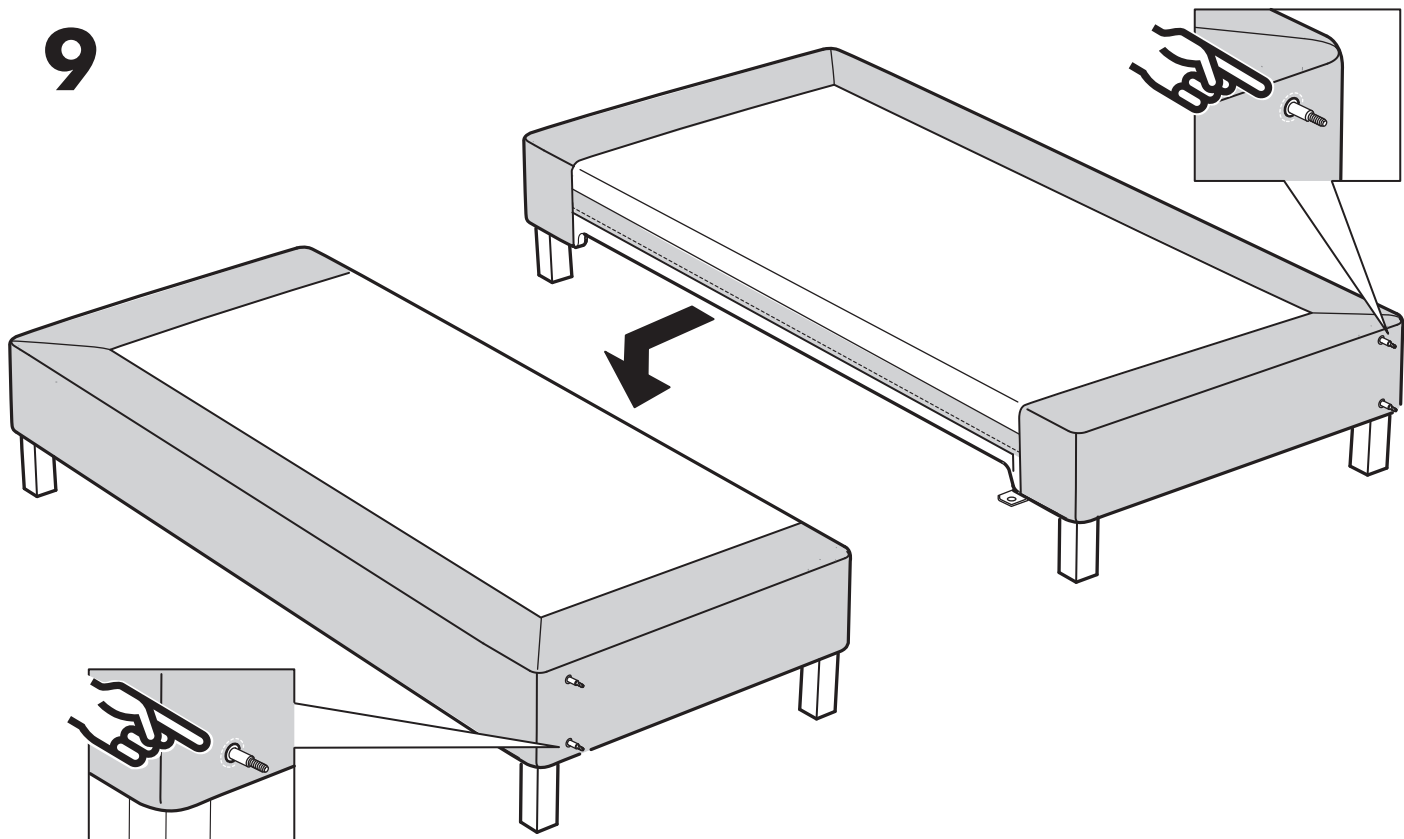
7



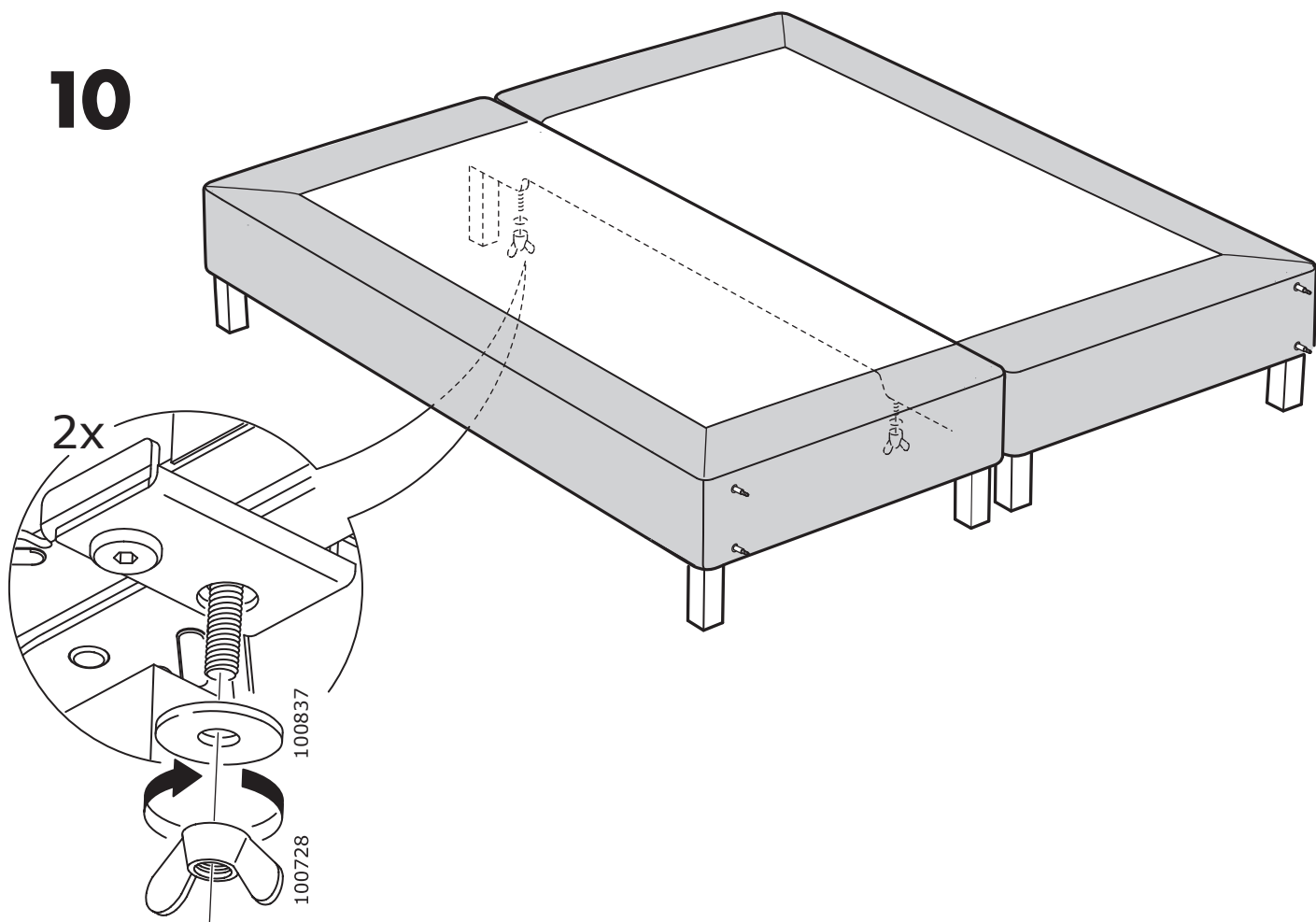
8



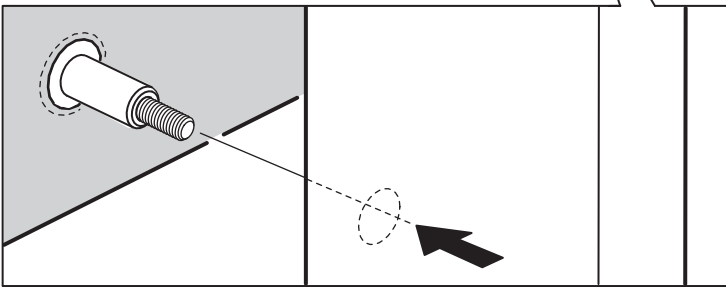
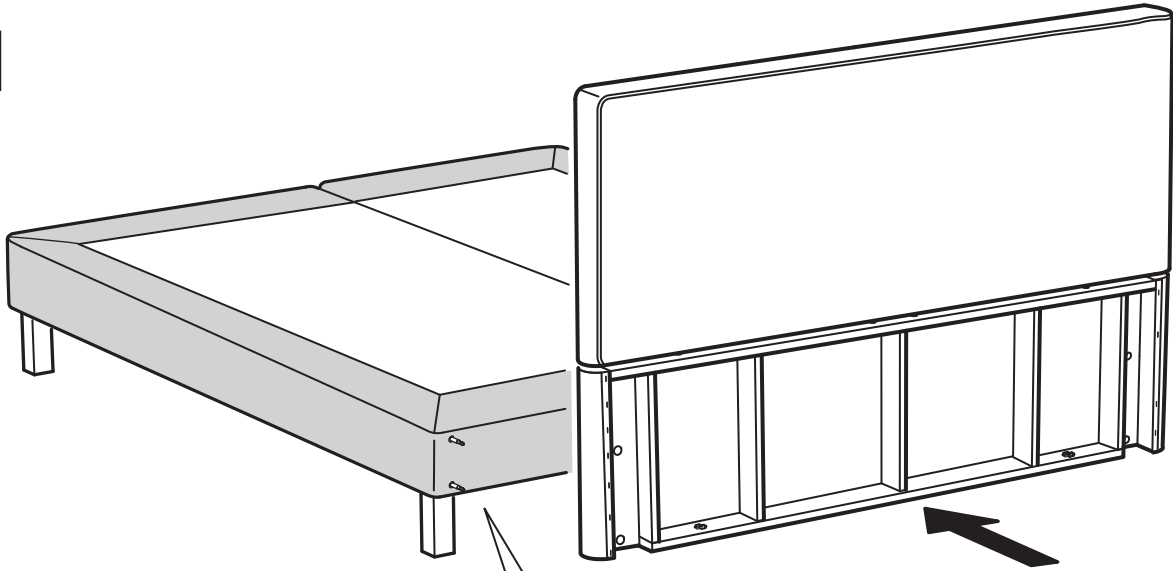
9



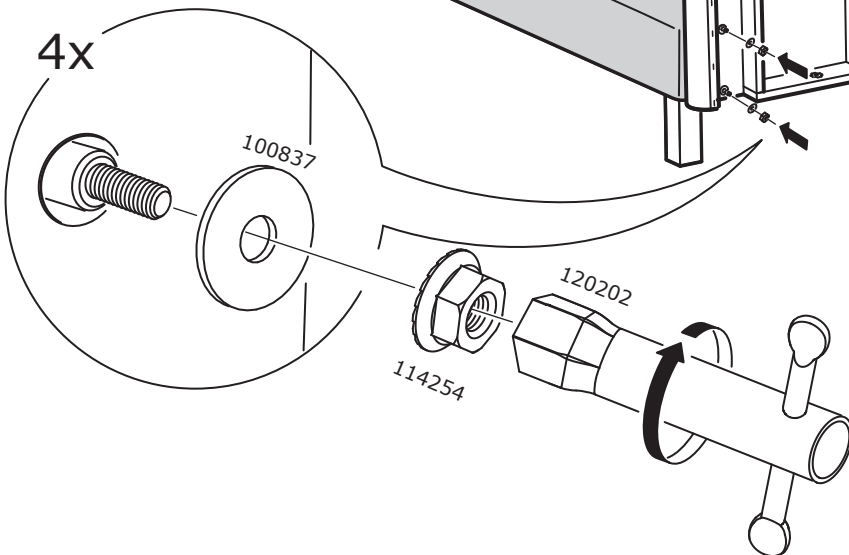
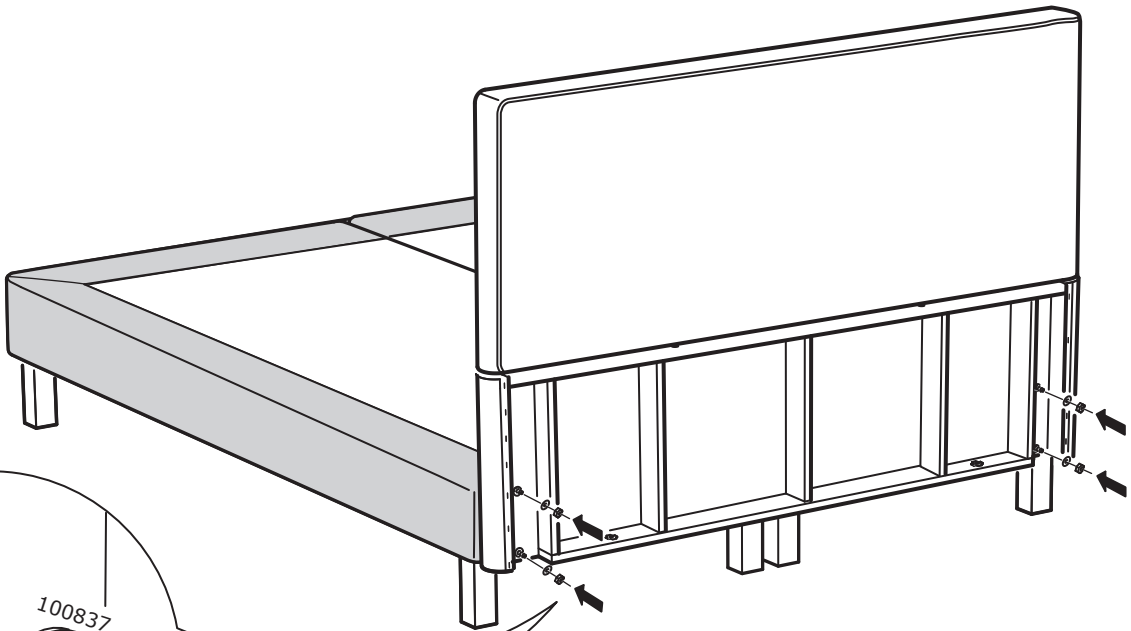
10



# 11

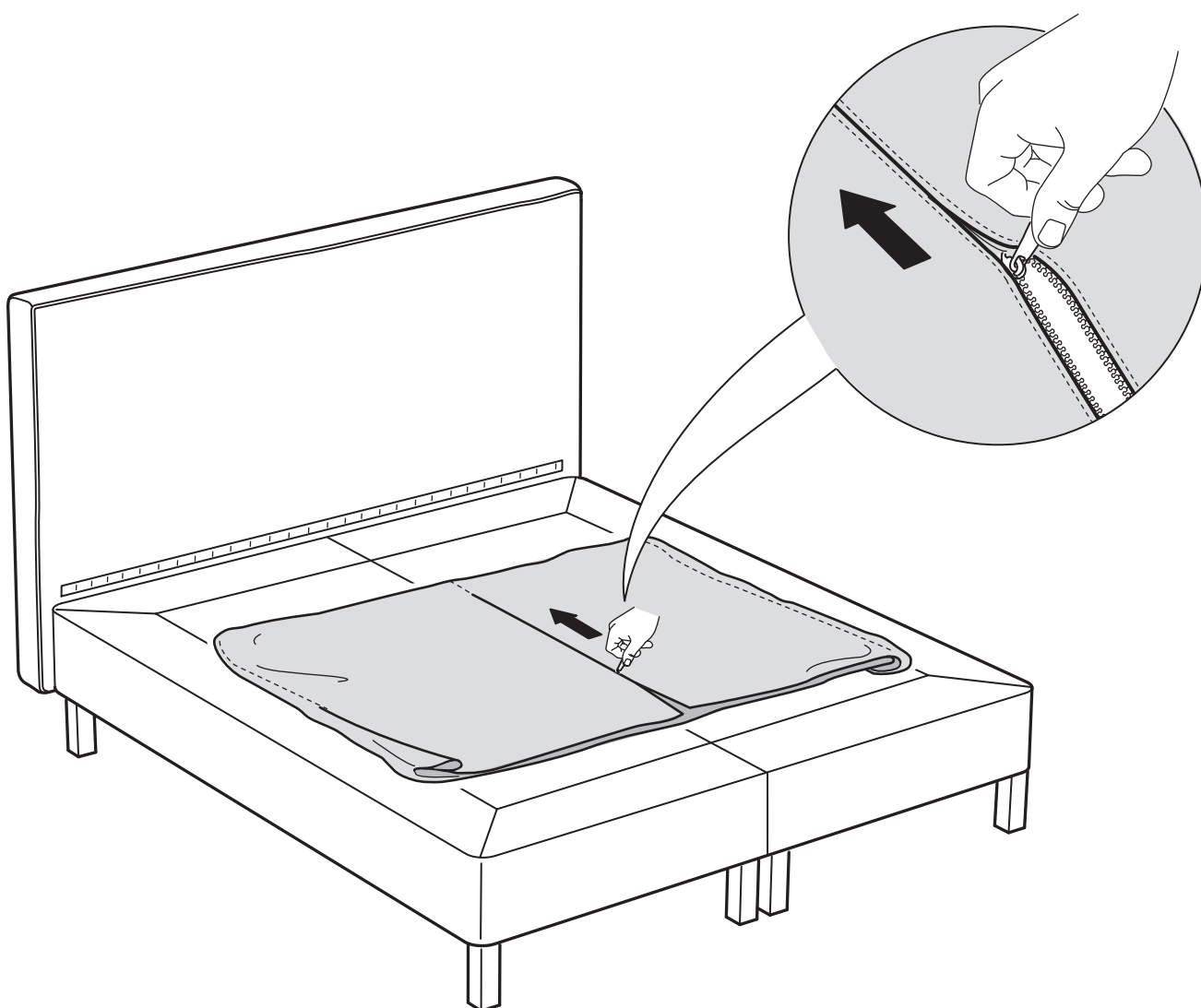
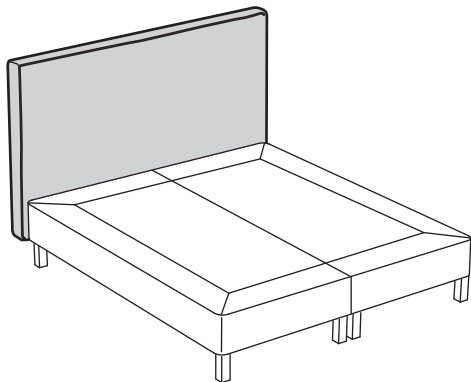


# 12

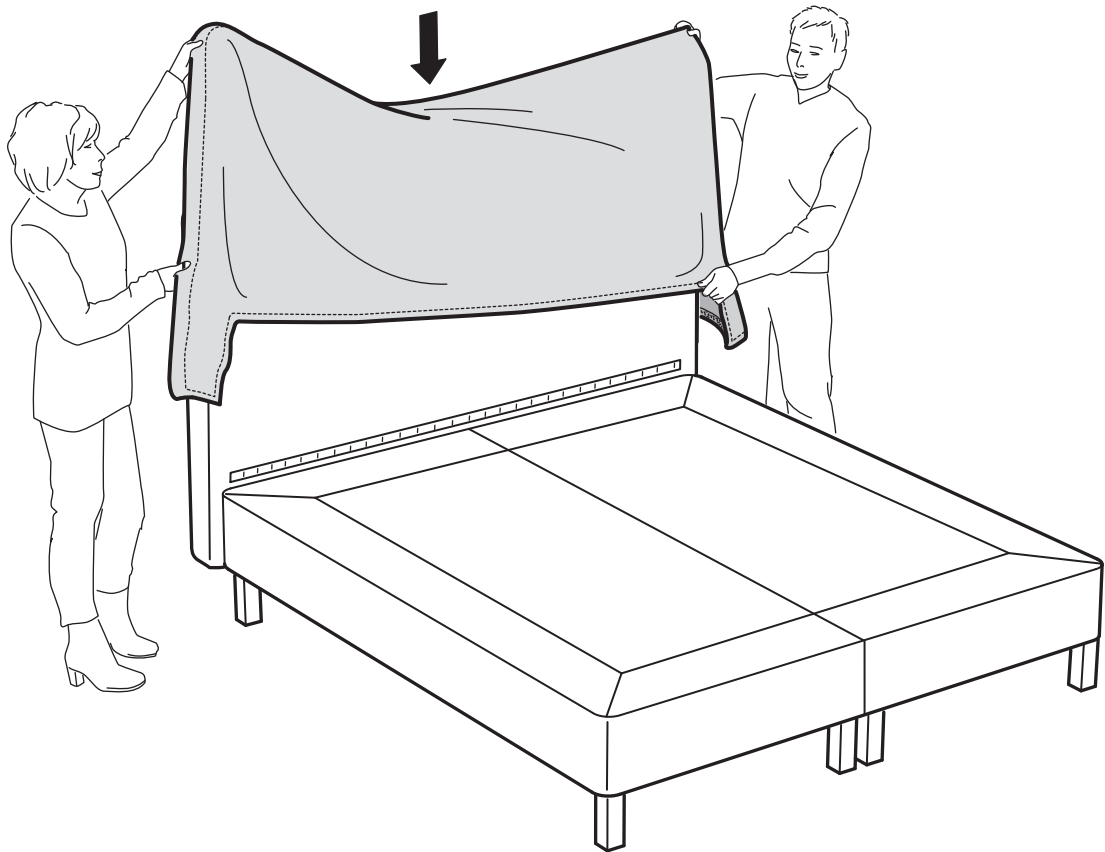




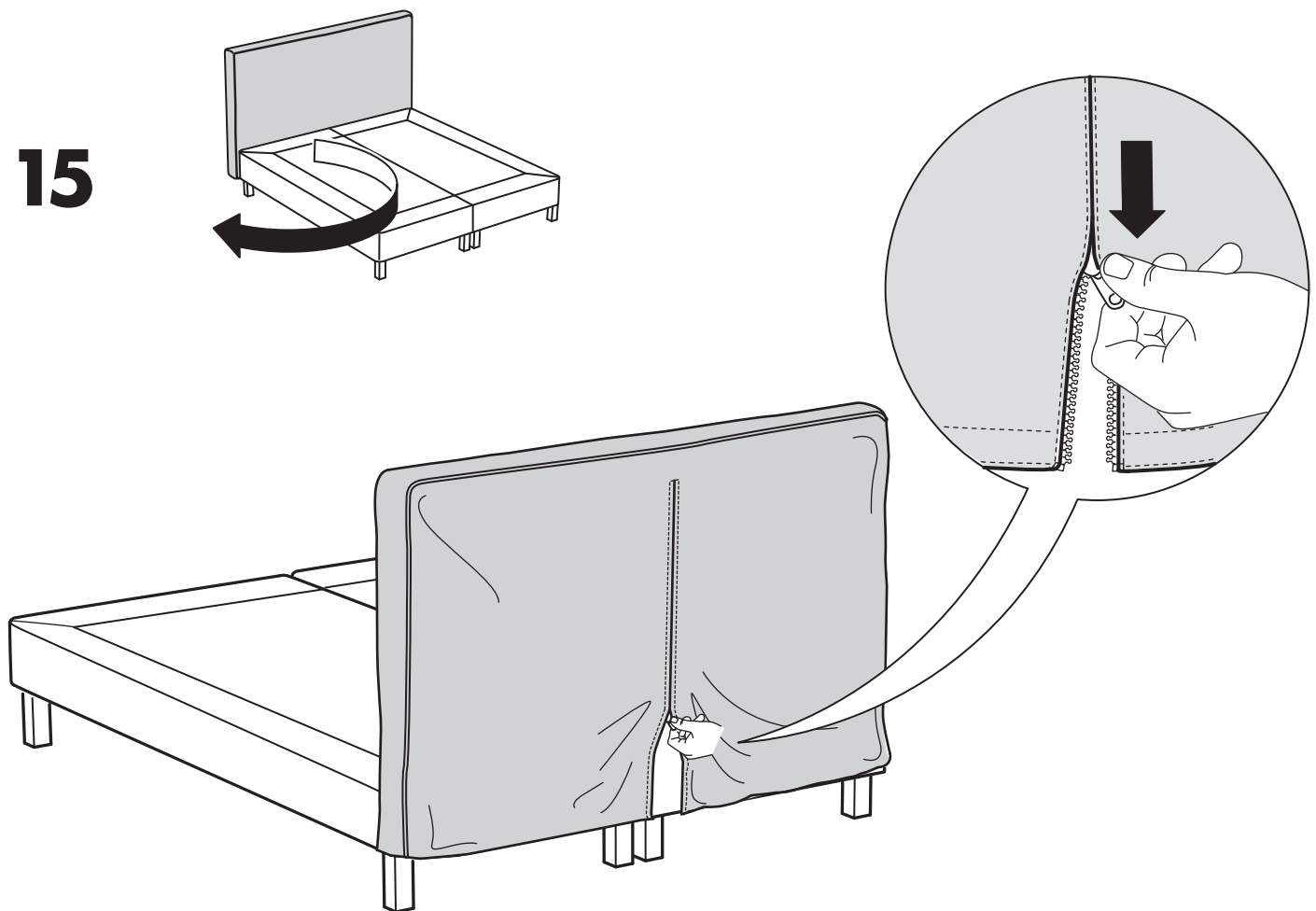
13



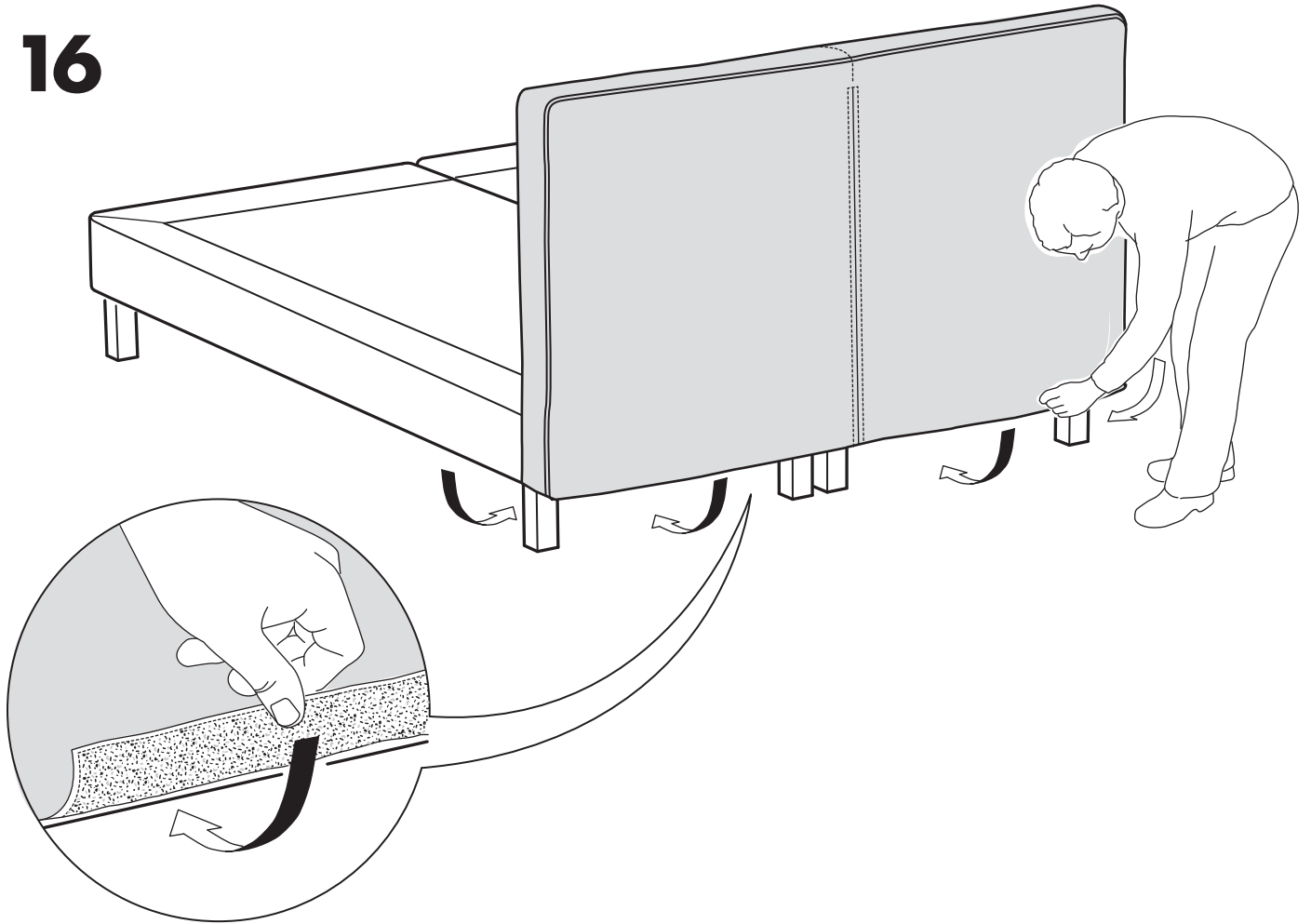
14



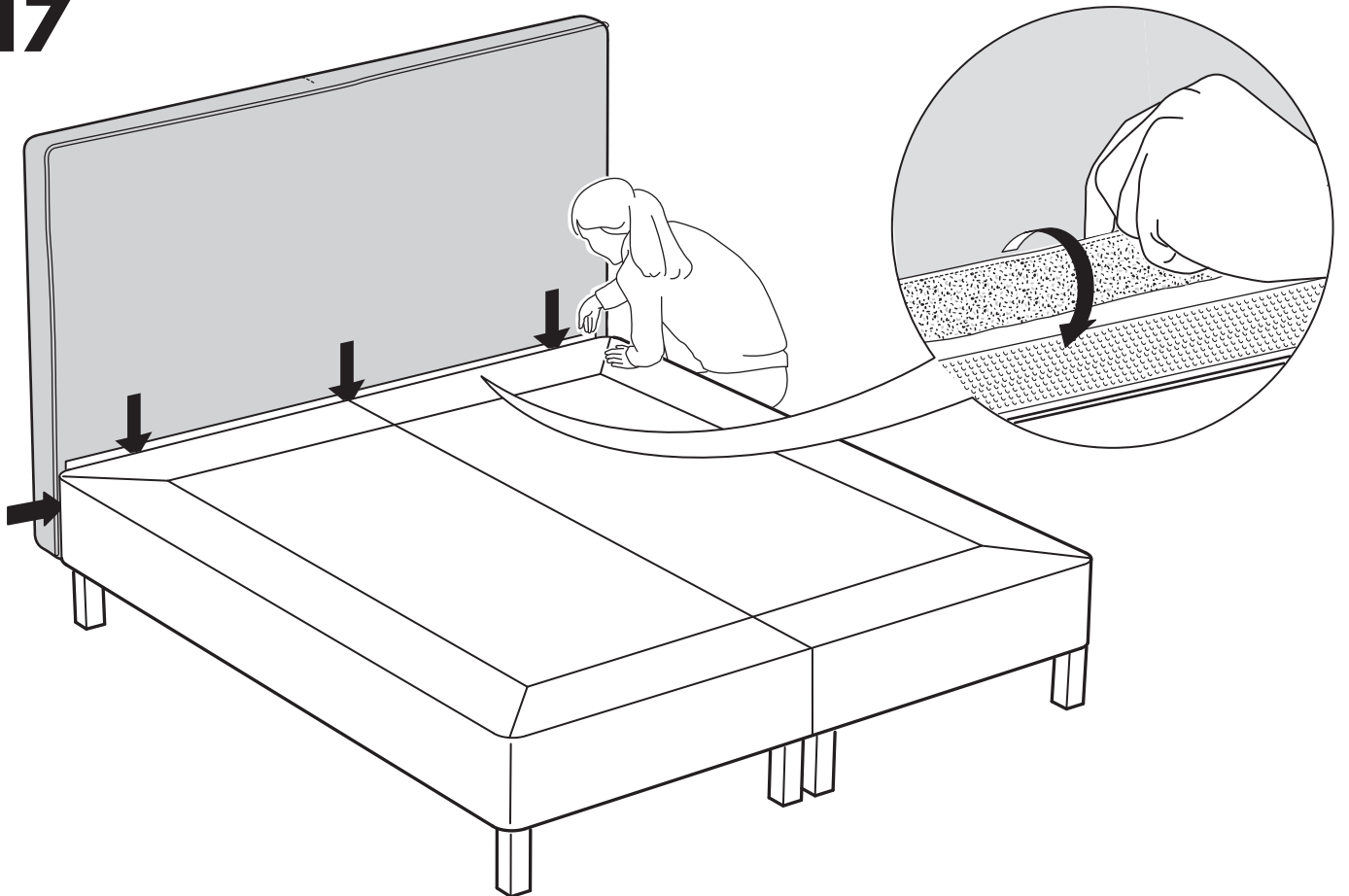
15



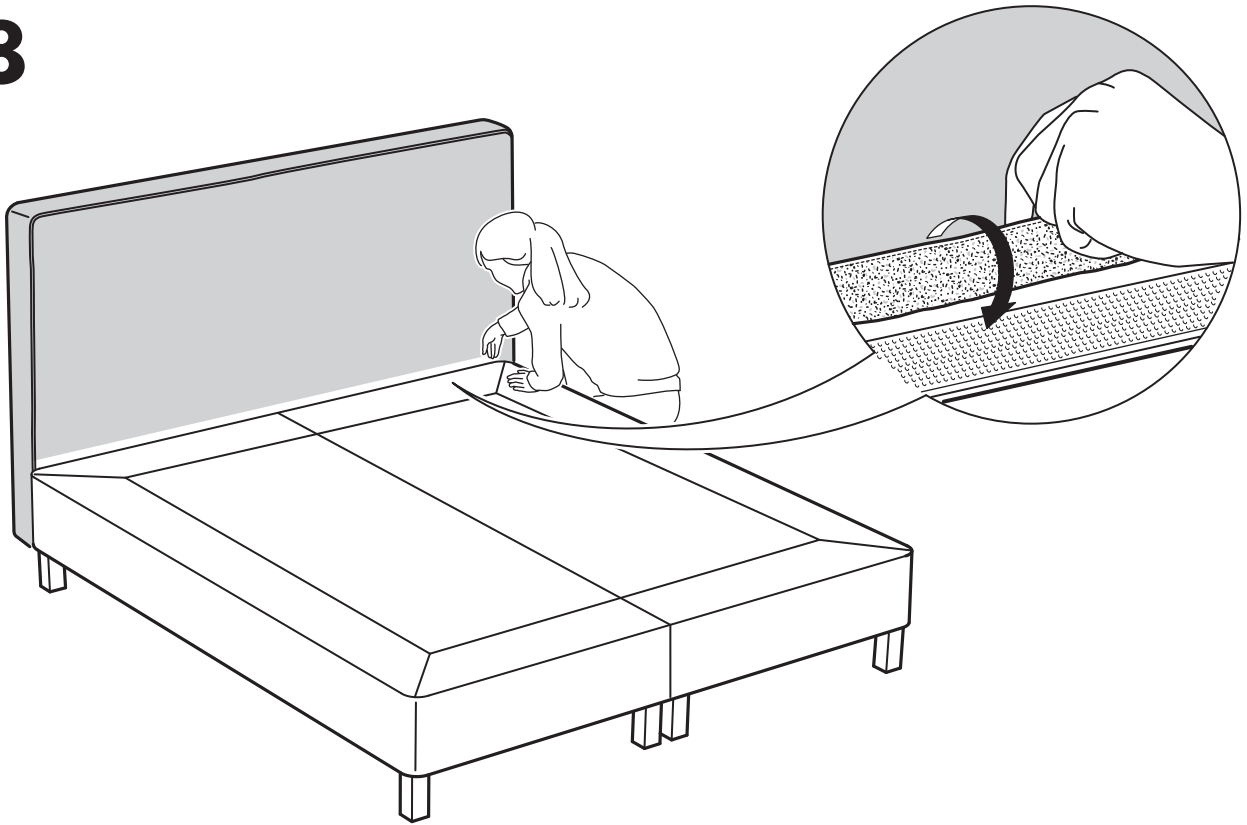
16



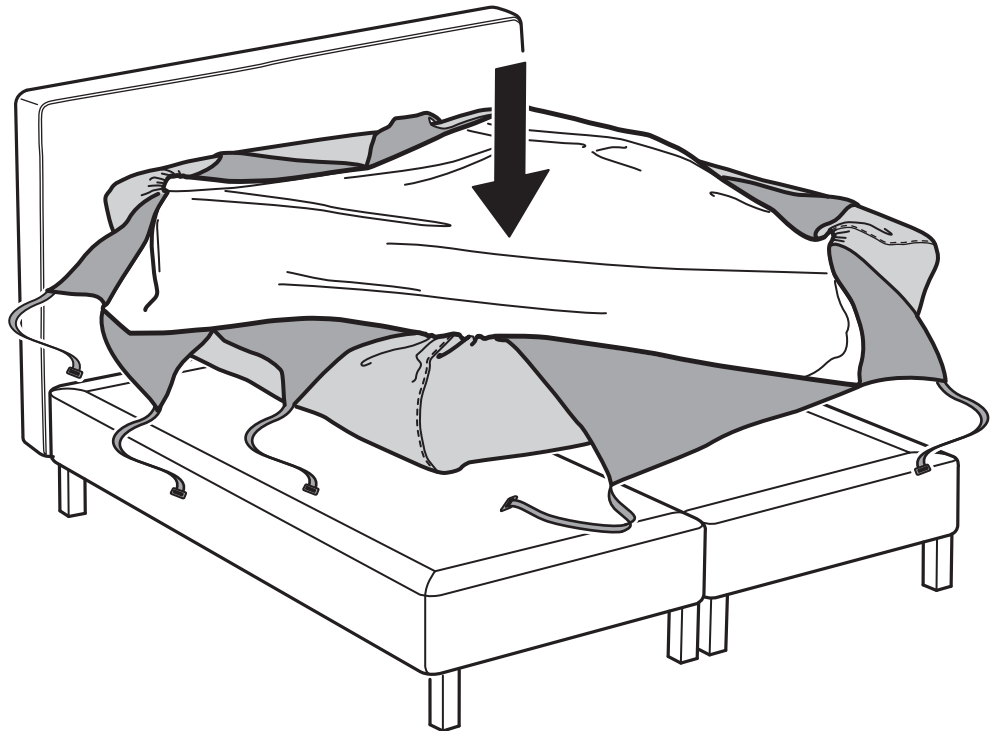
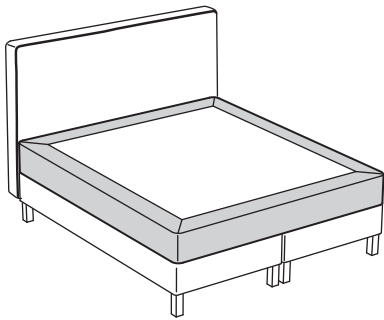
17



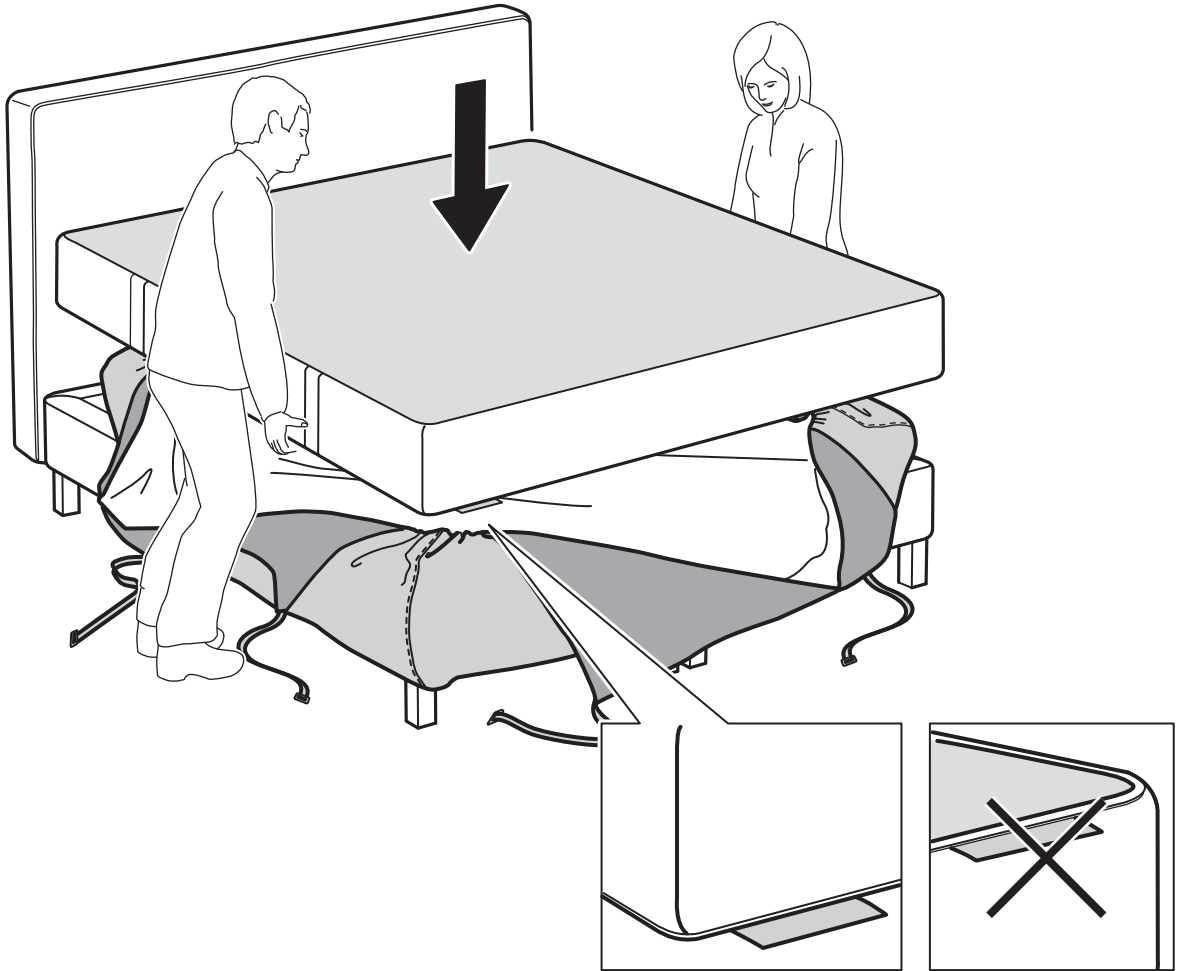
18



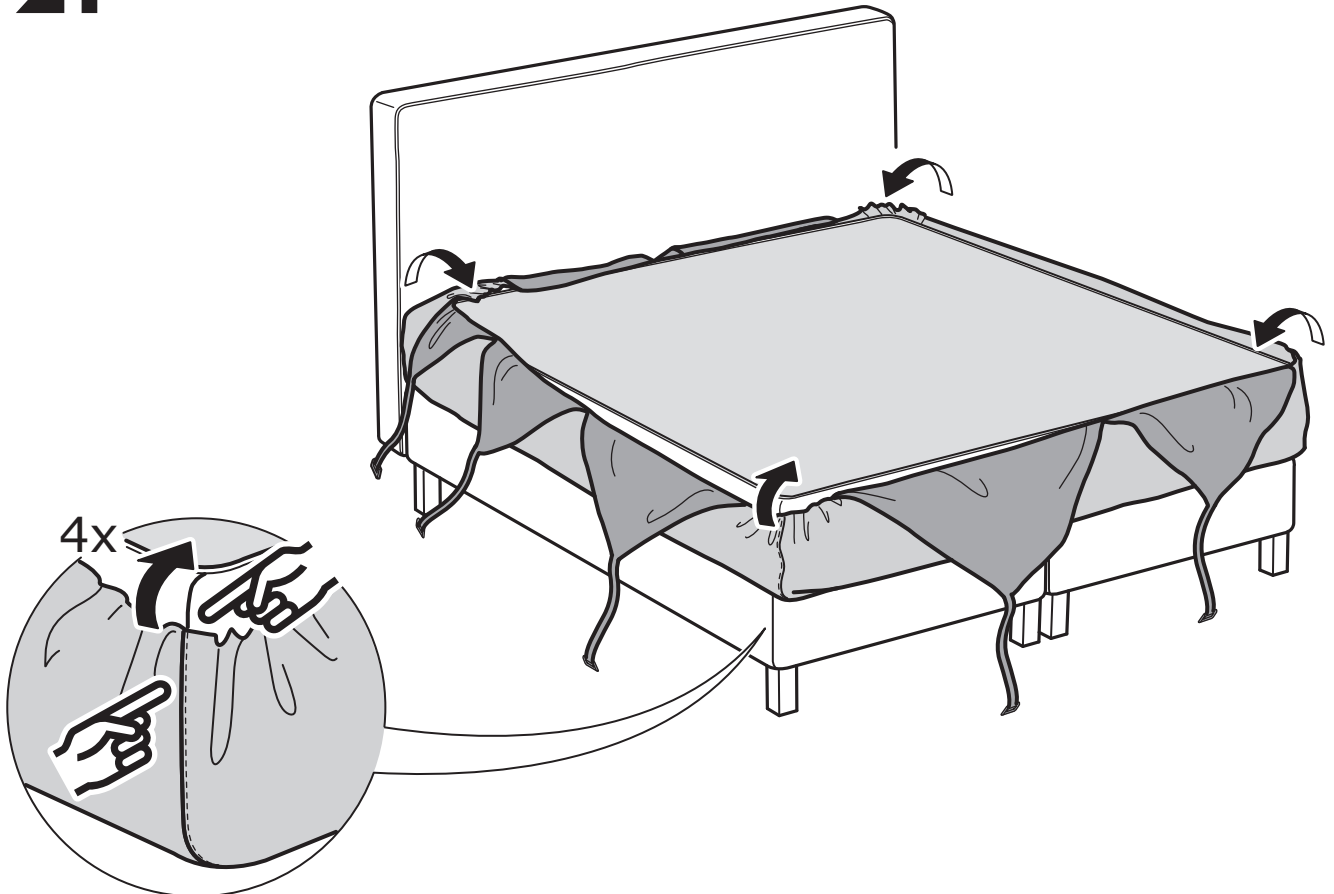
19



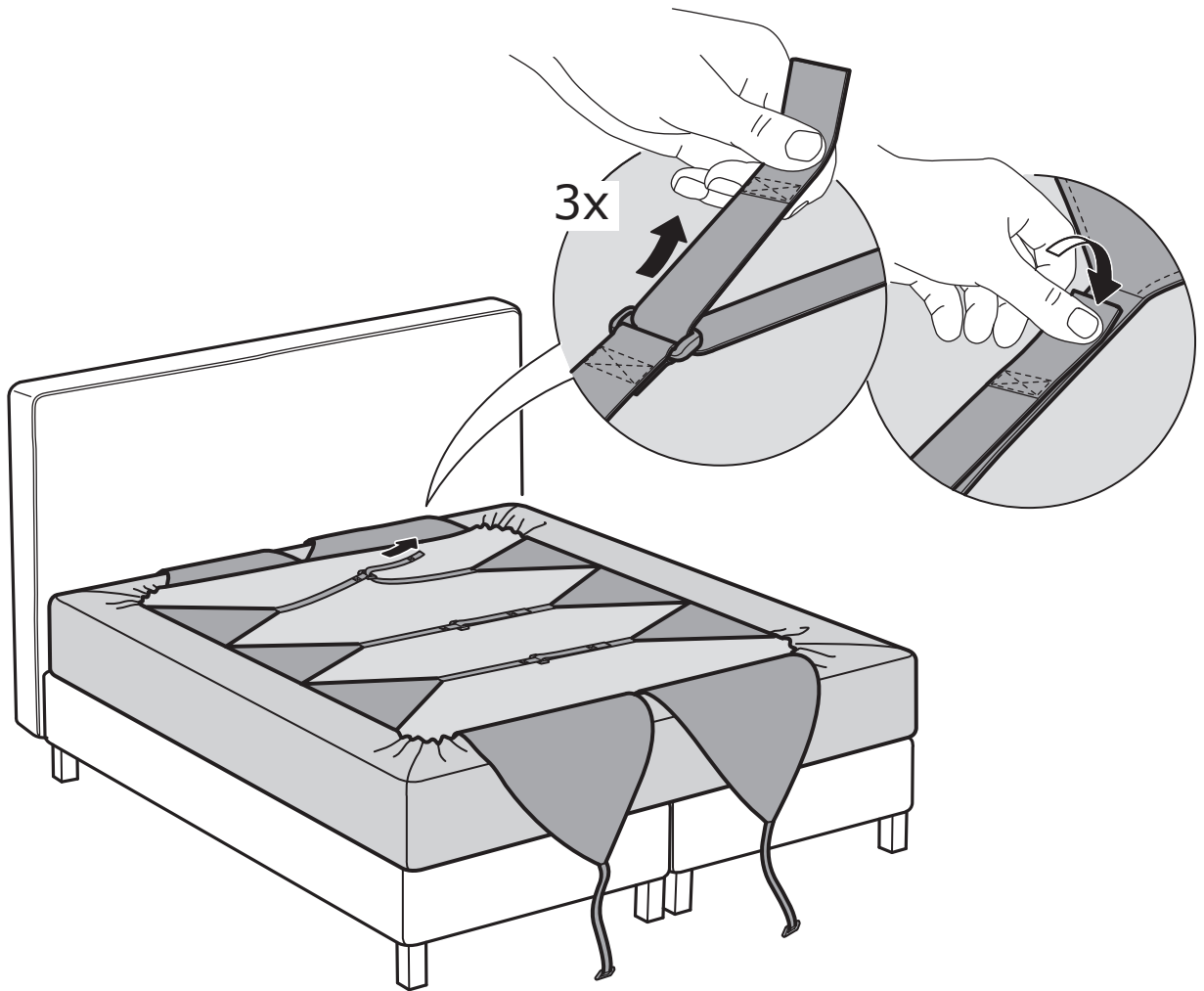
20



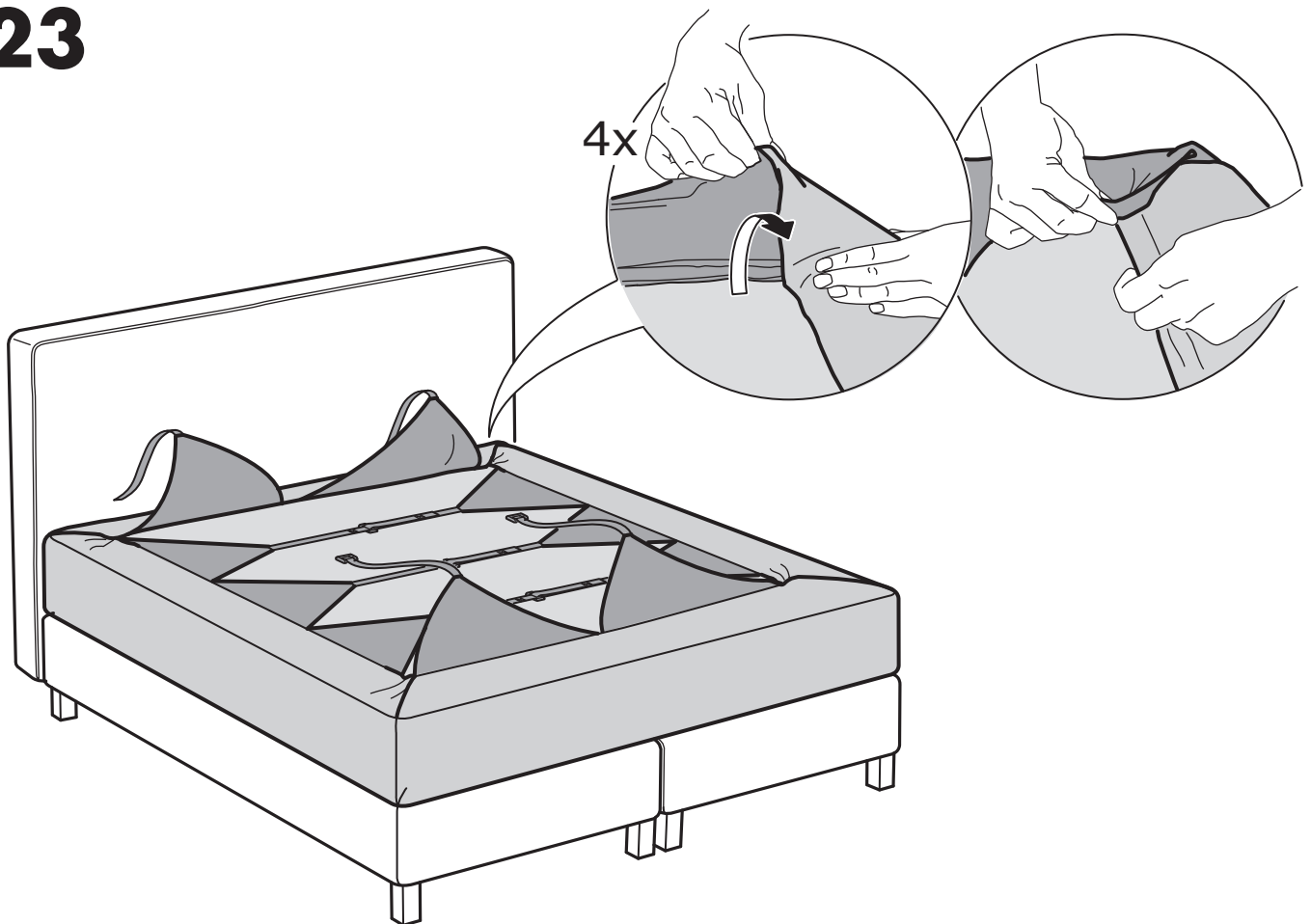
21



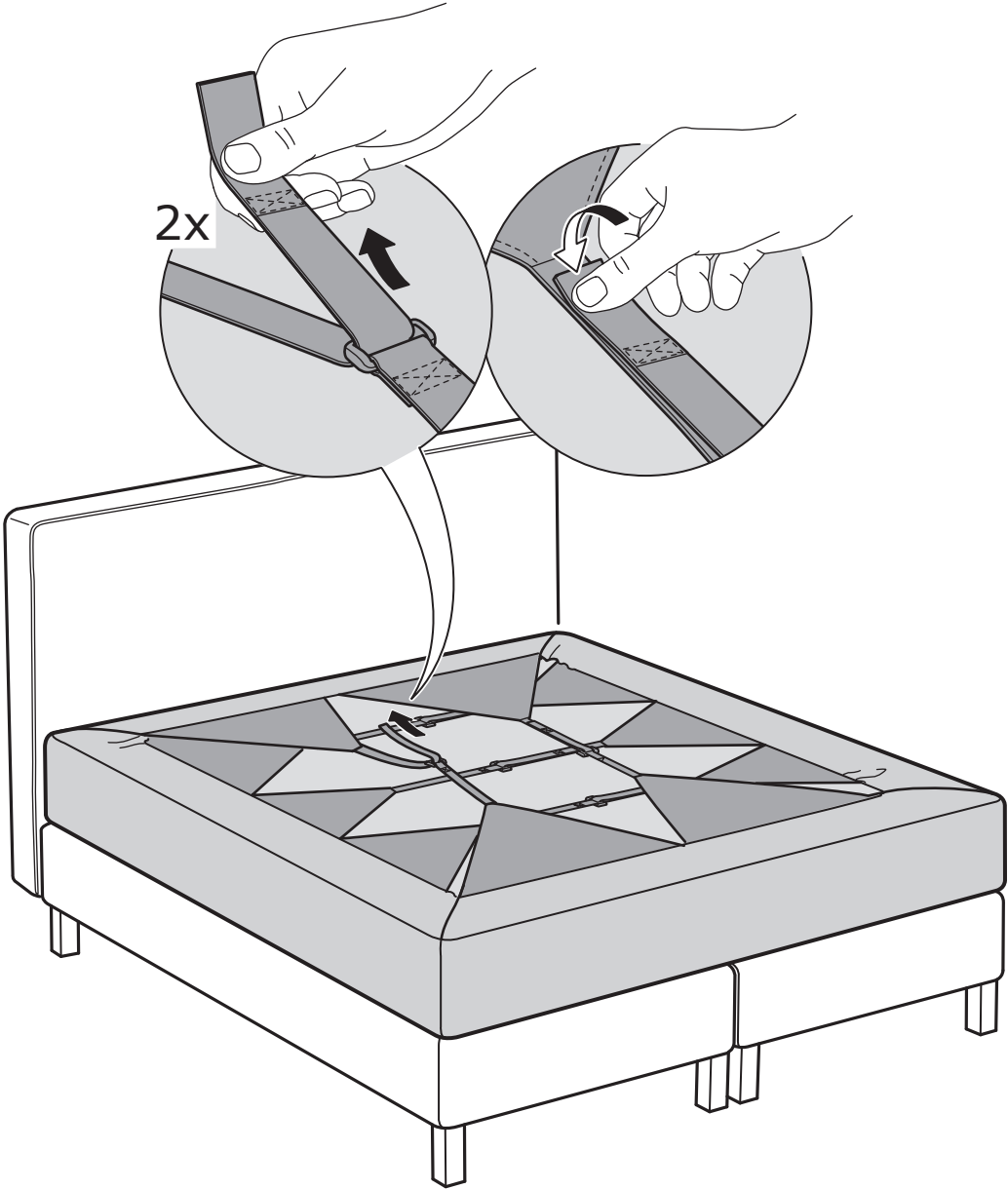
**22**



**23**



24



25

