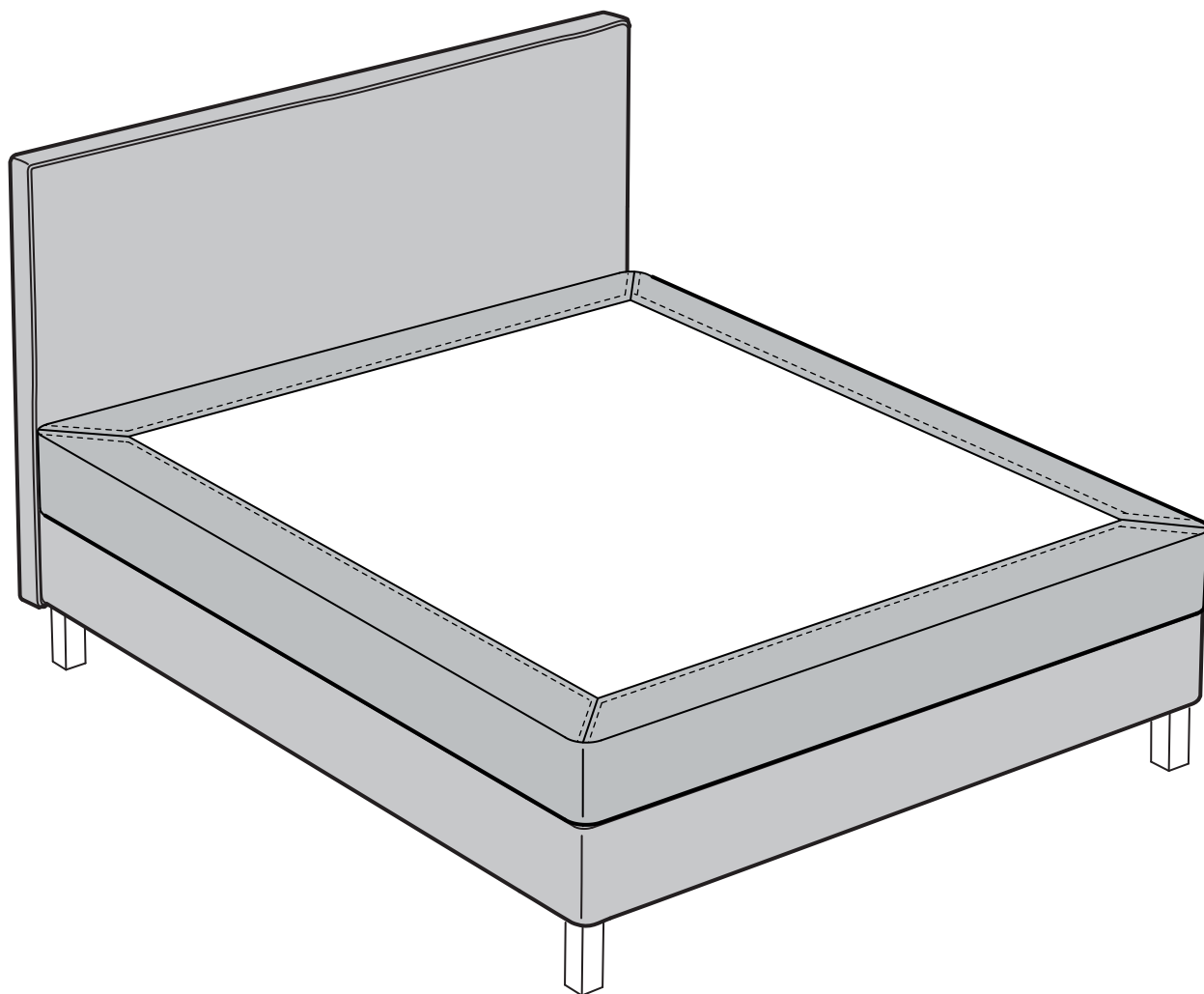
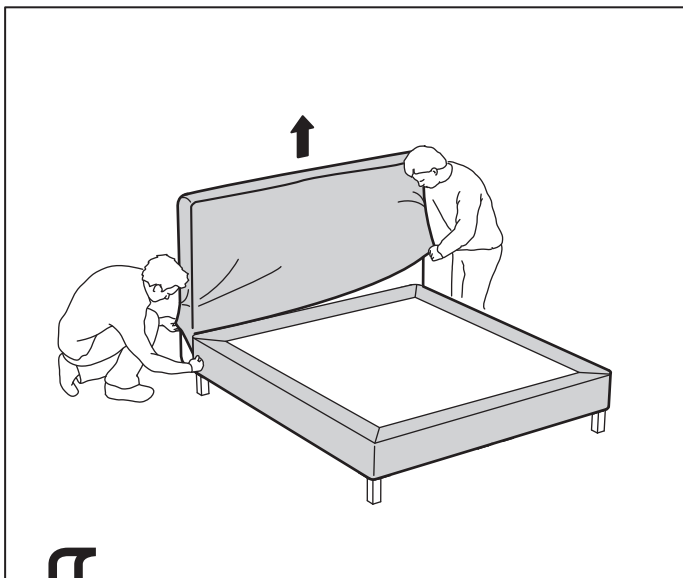


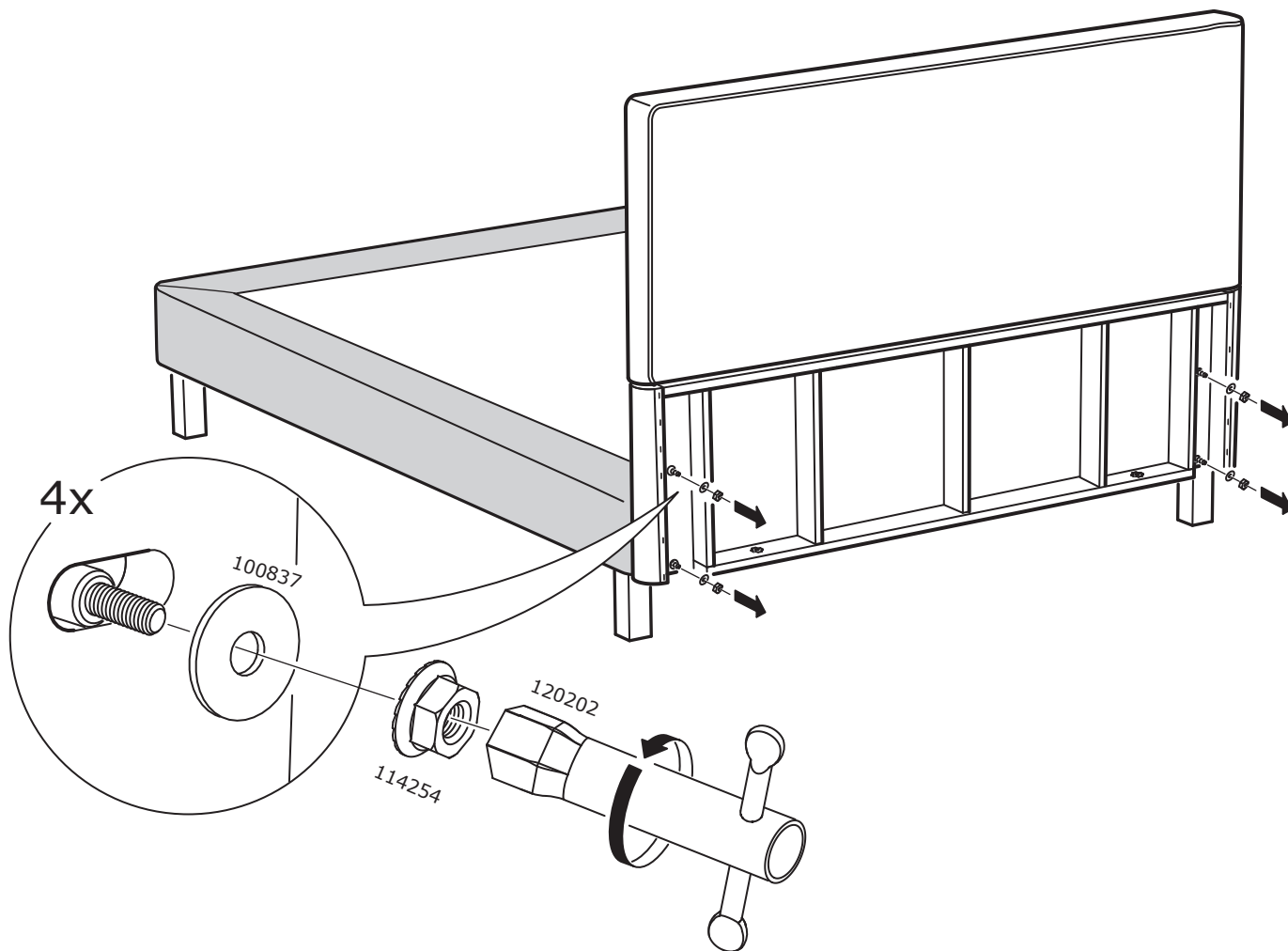
# DUNVIK



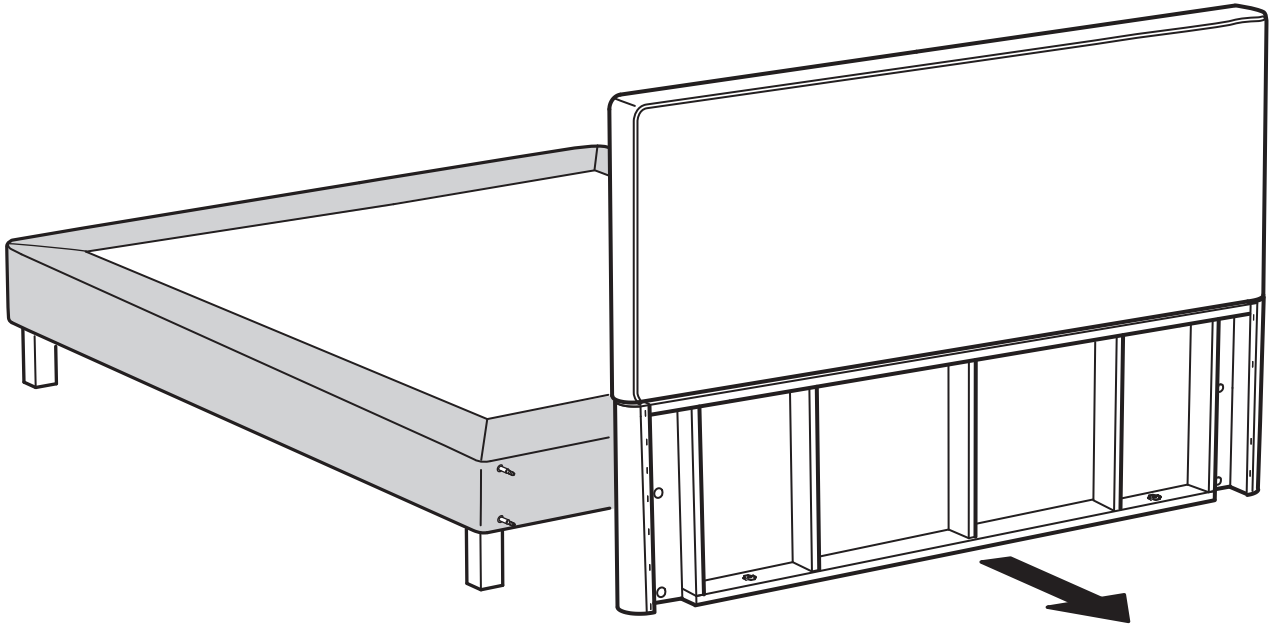
Design and Quality  
IKEA of Sweden



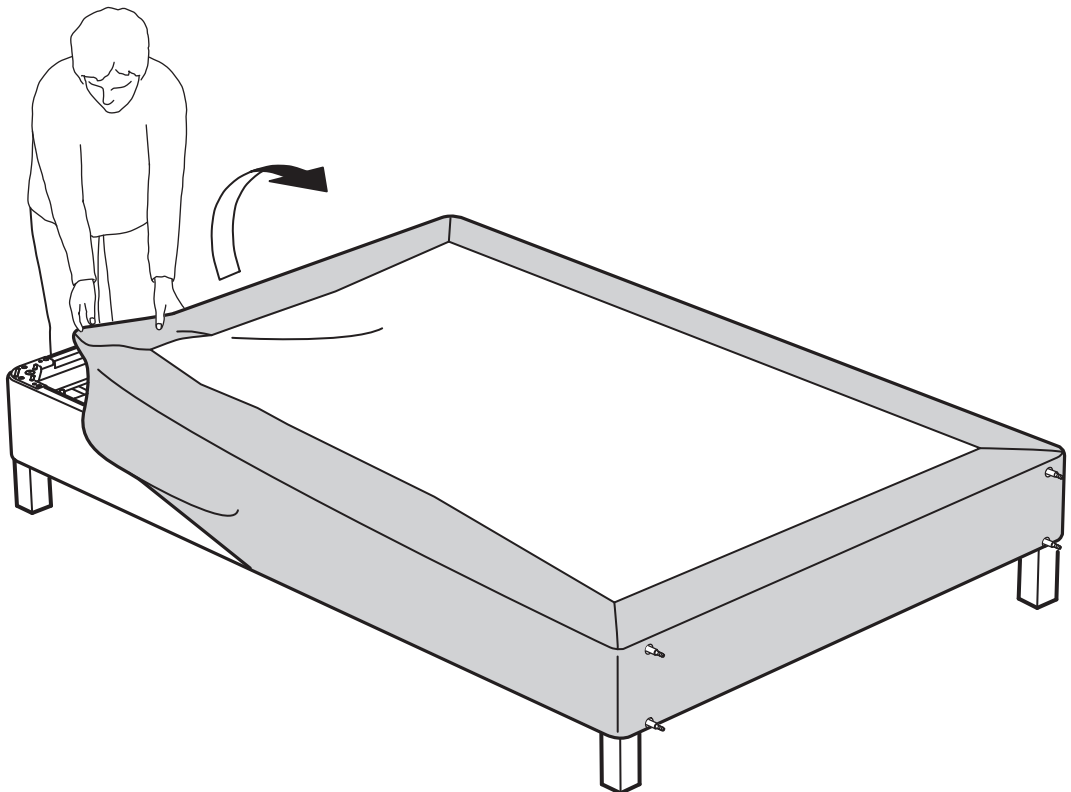
↓  
**1**

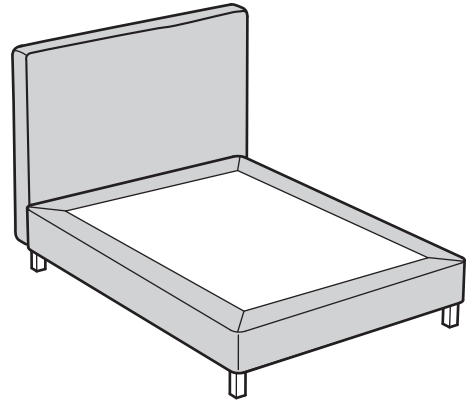
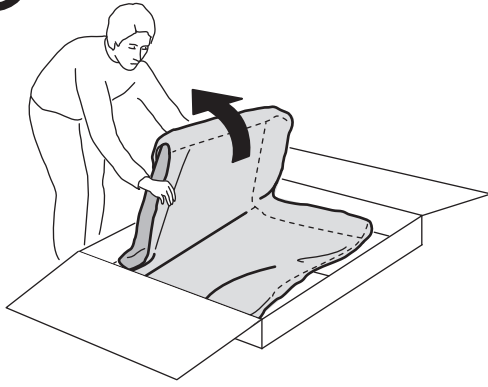


**2**

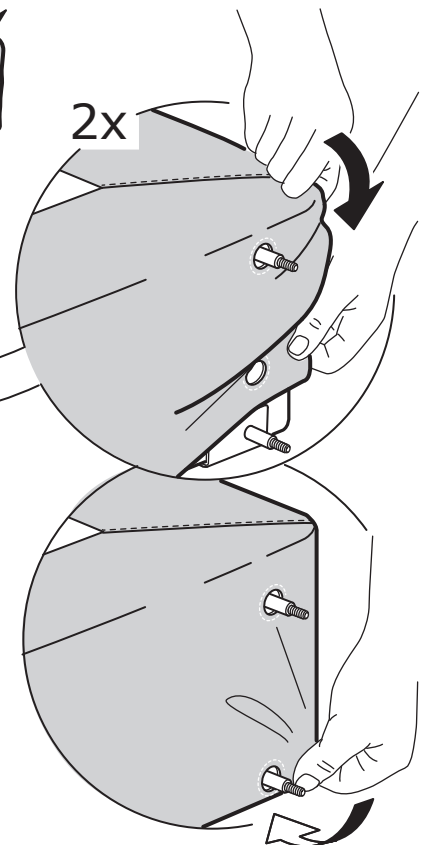
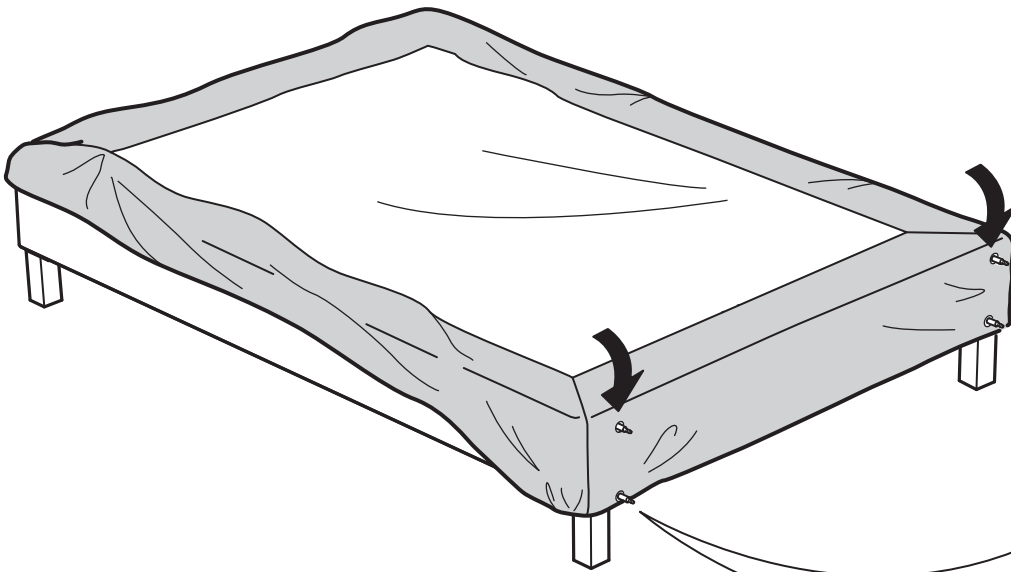
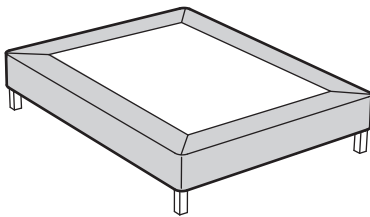


**3**

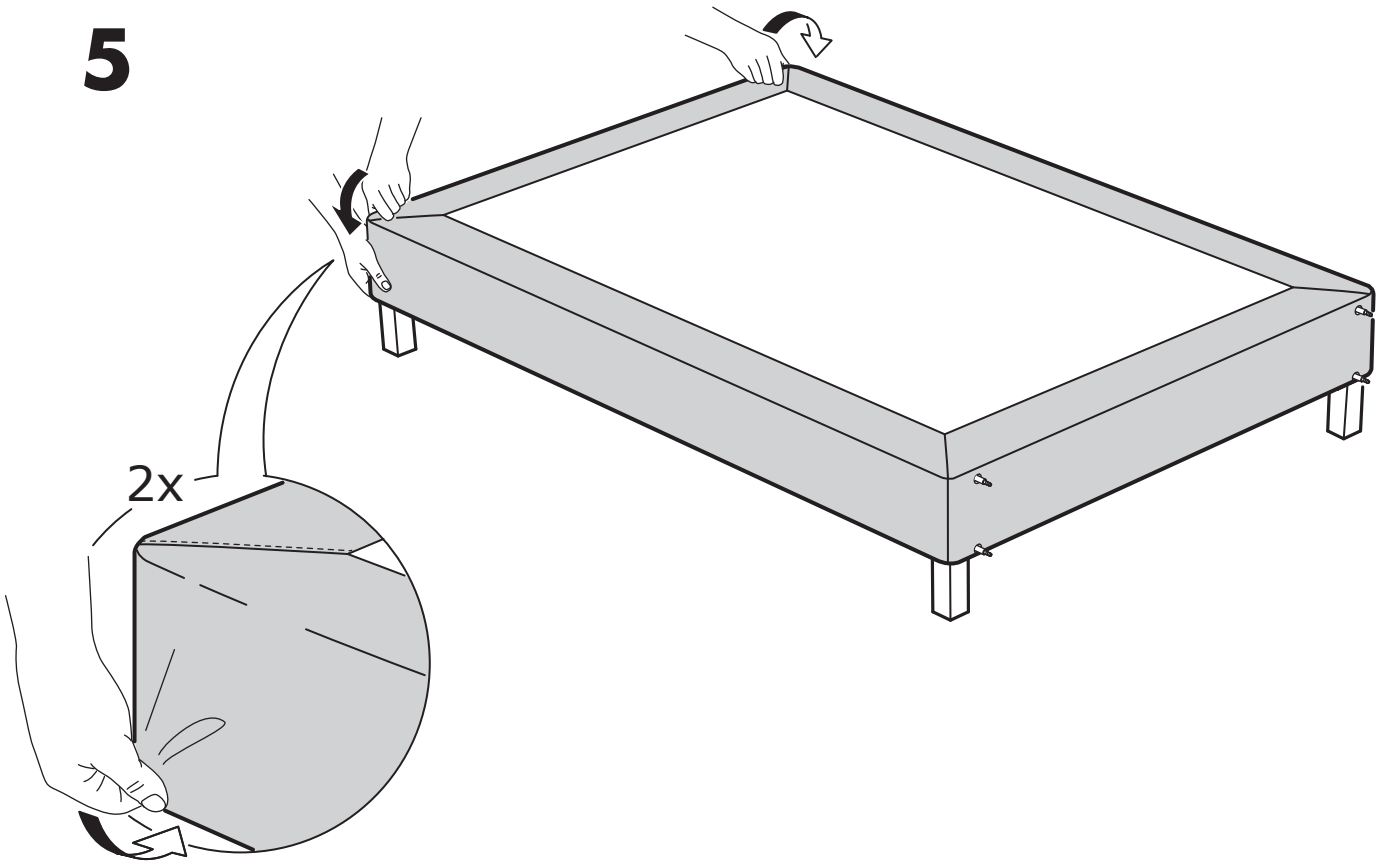




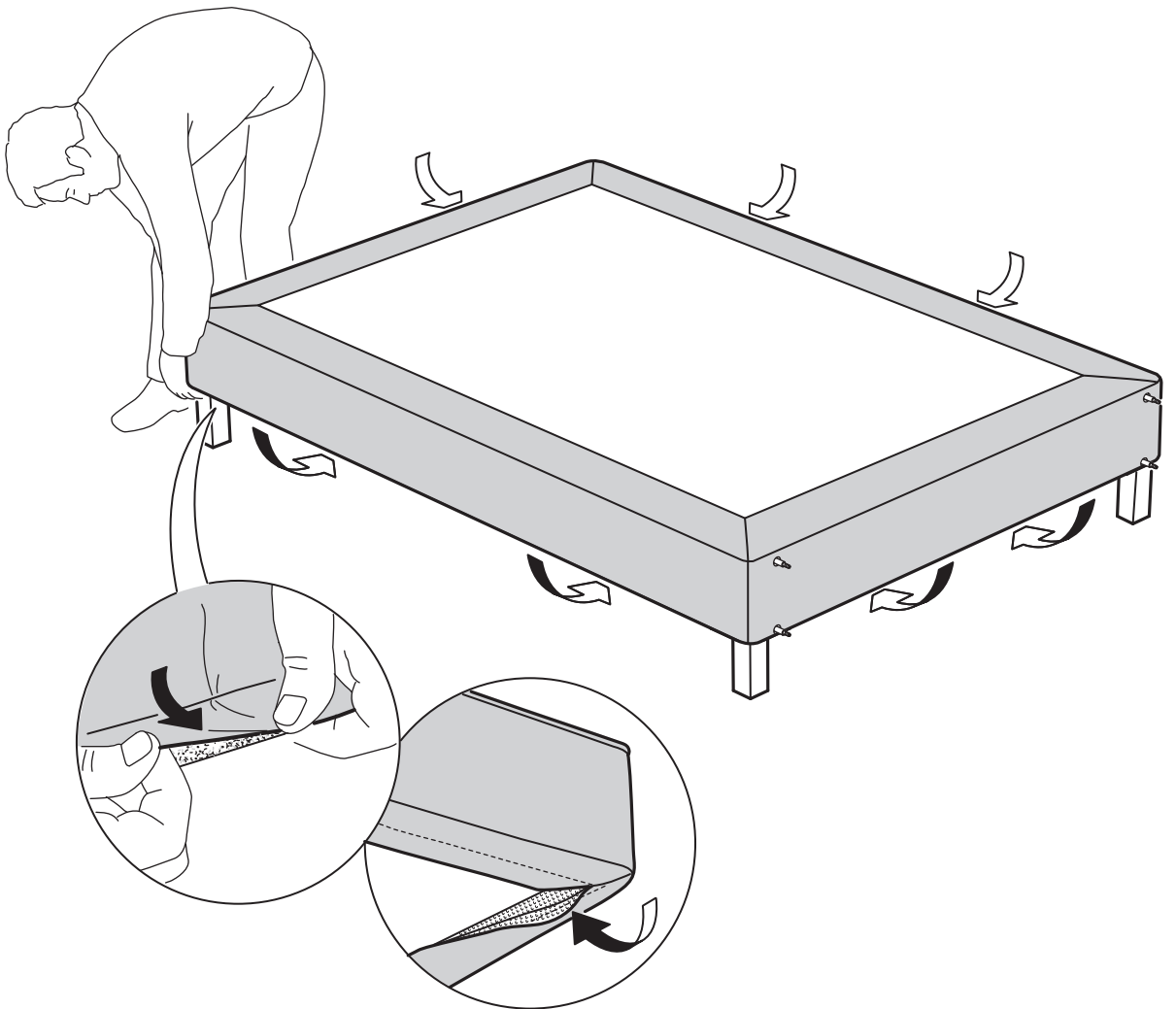
**4**



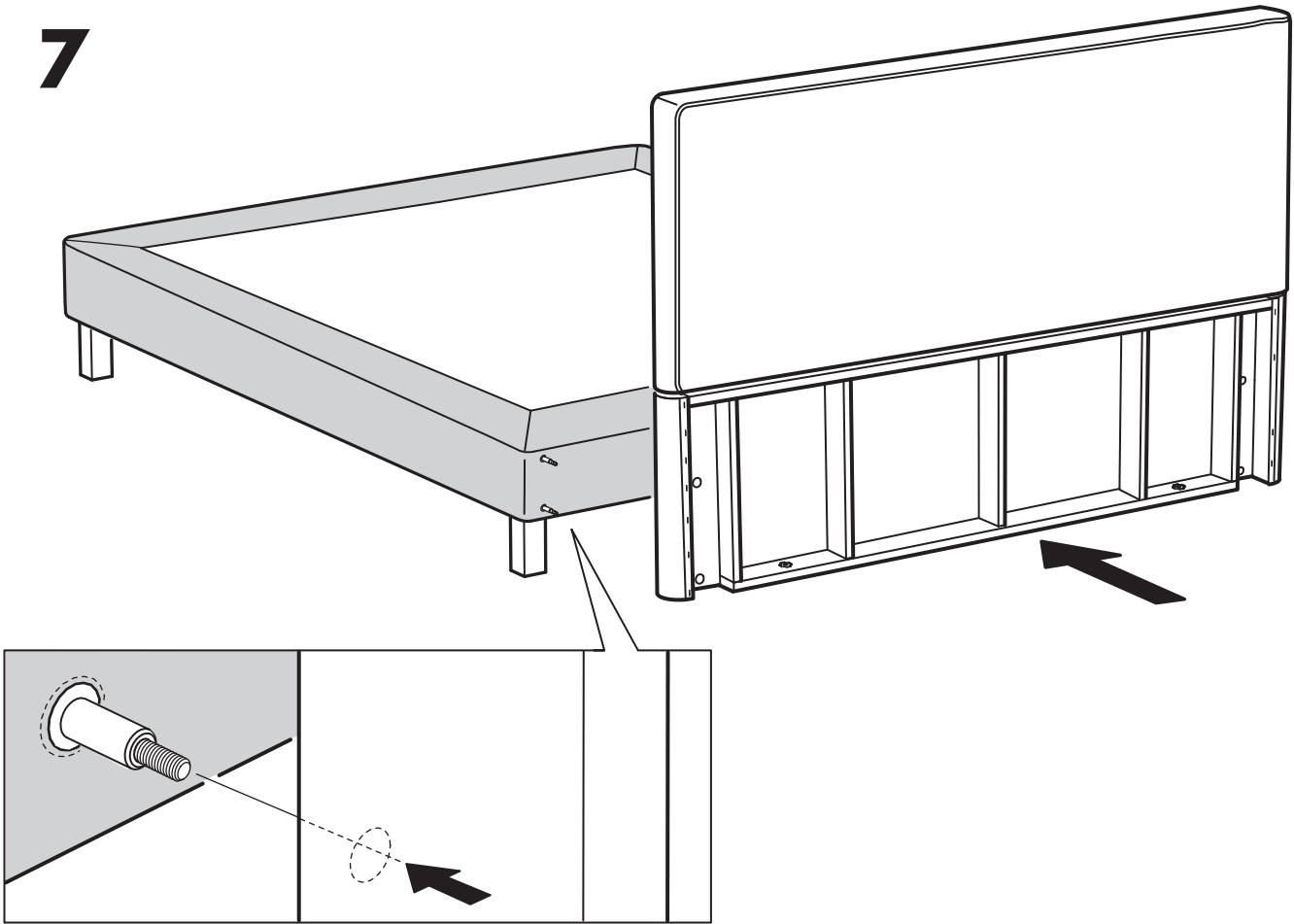
5



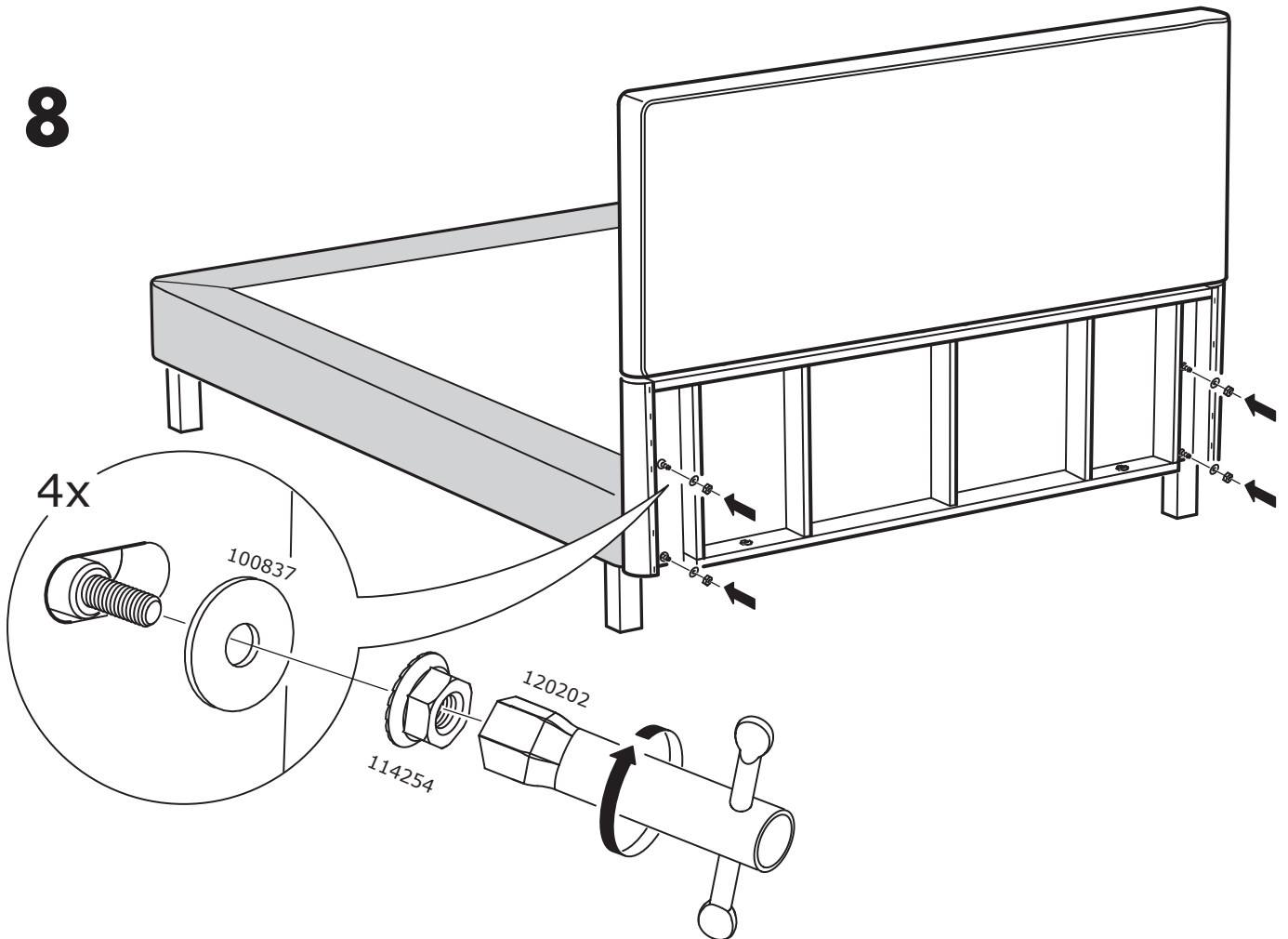
6



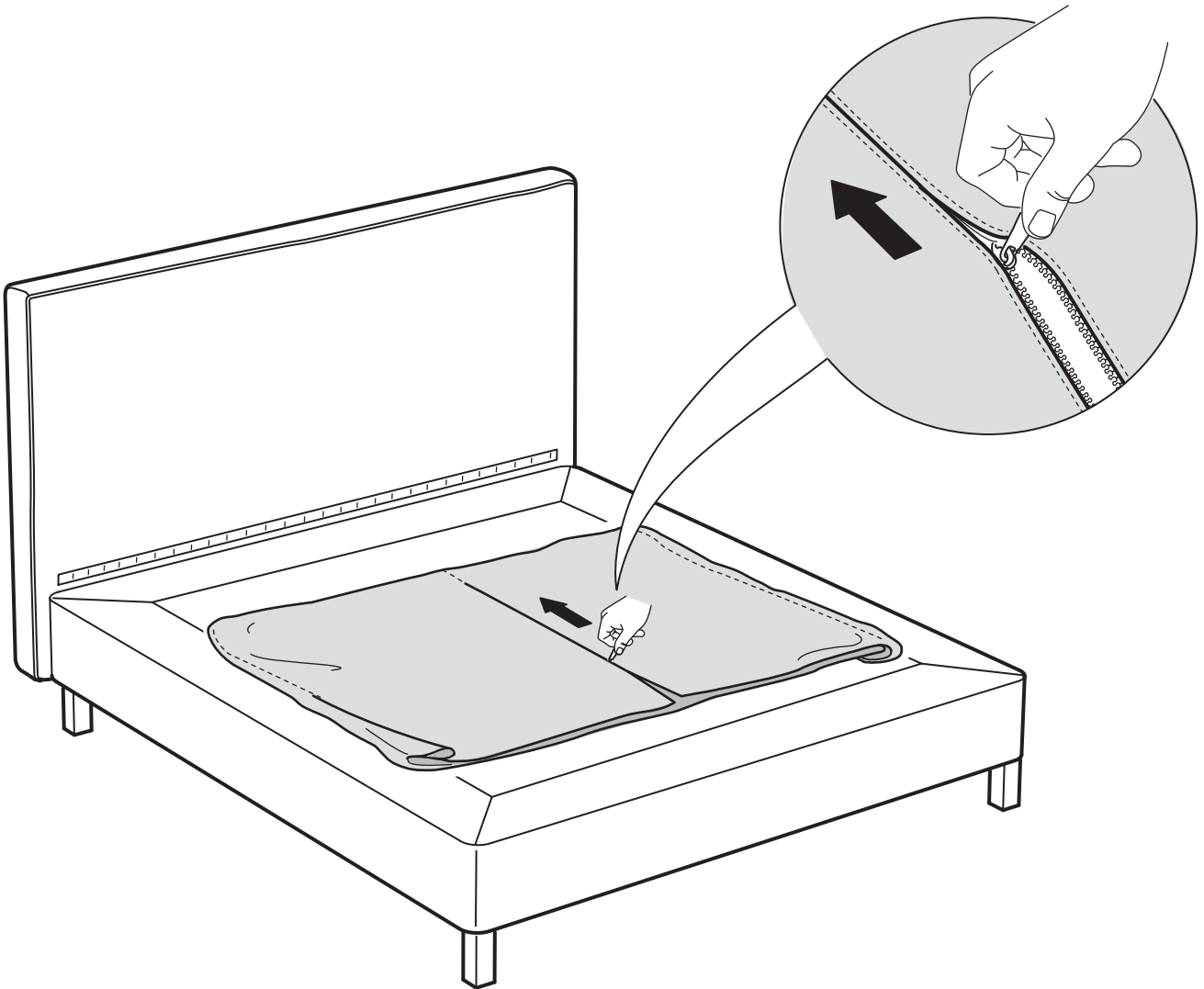
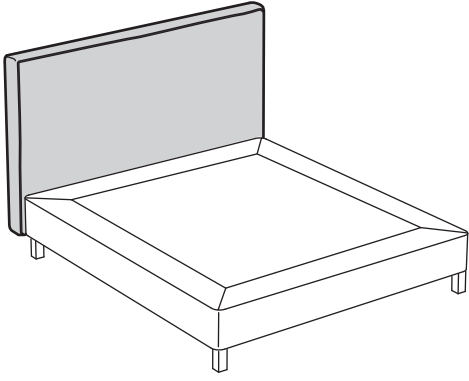
7



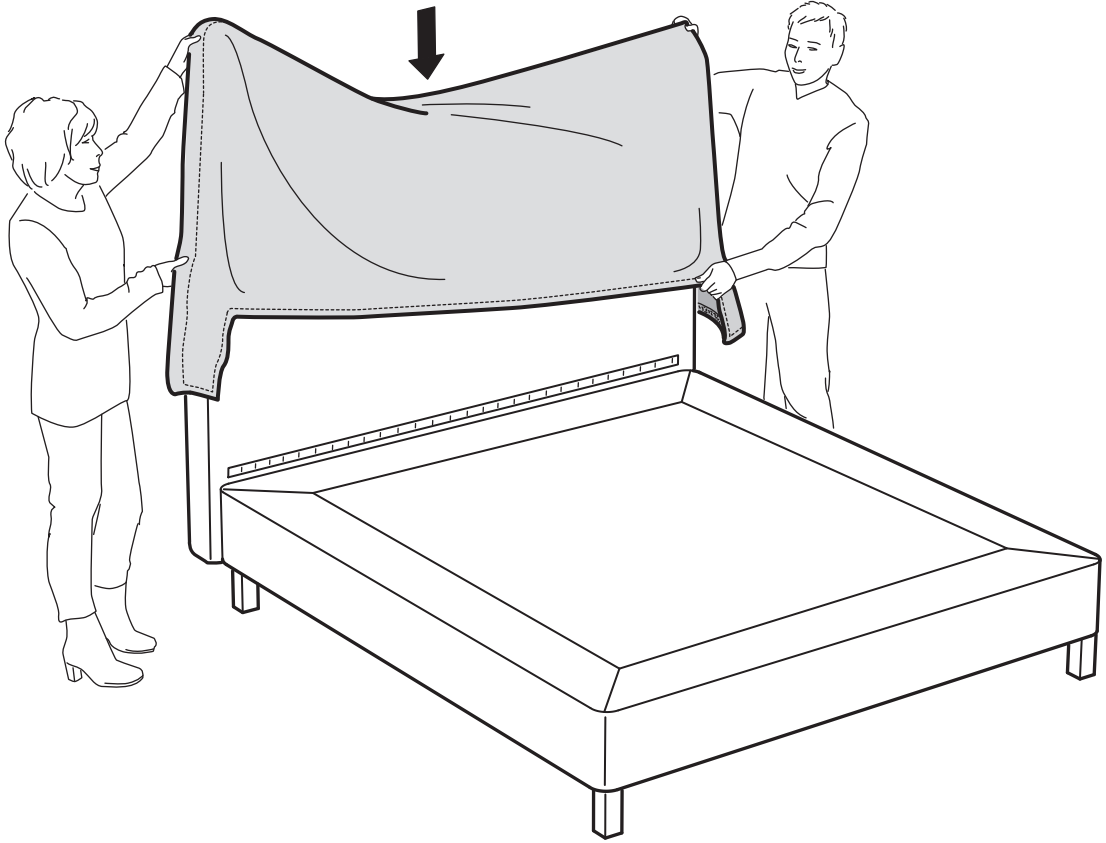
8



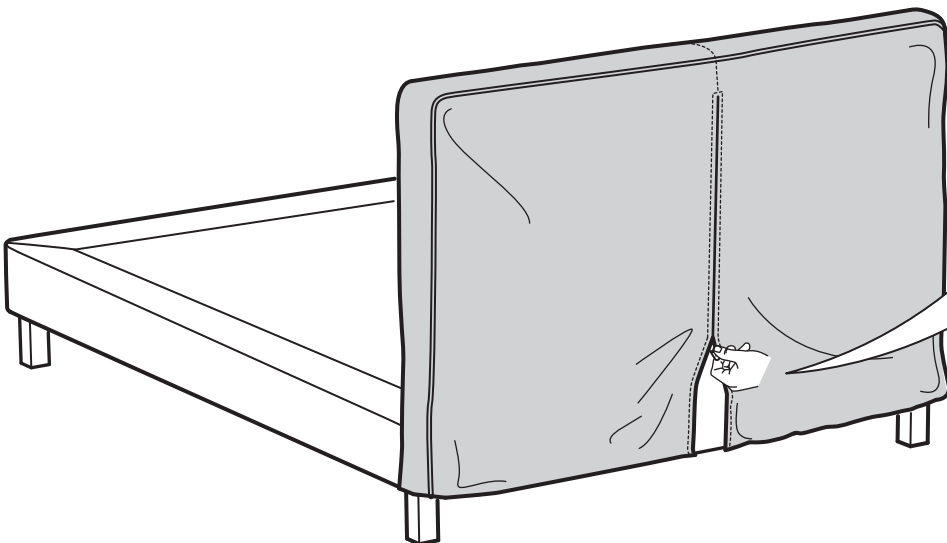
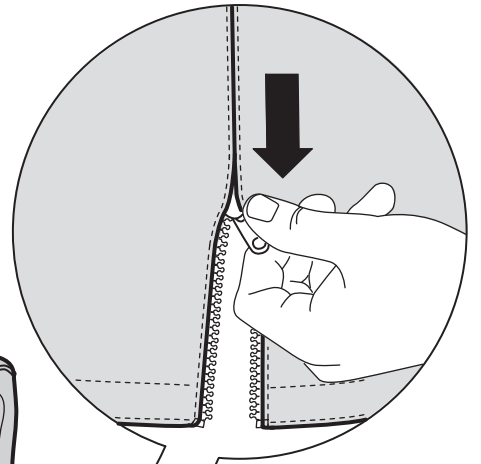
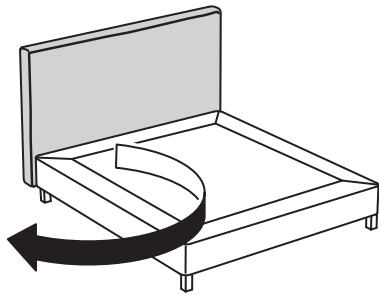
9



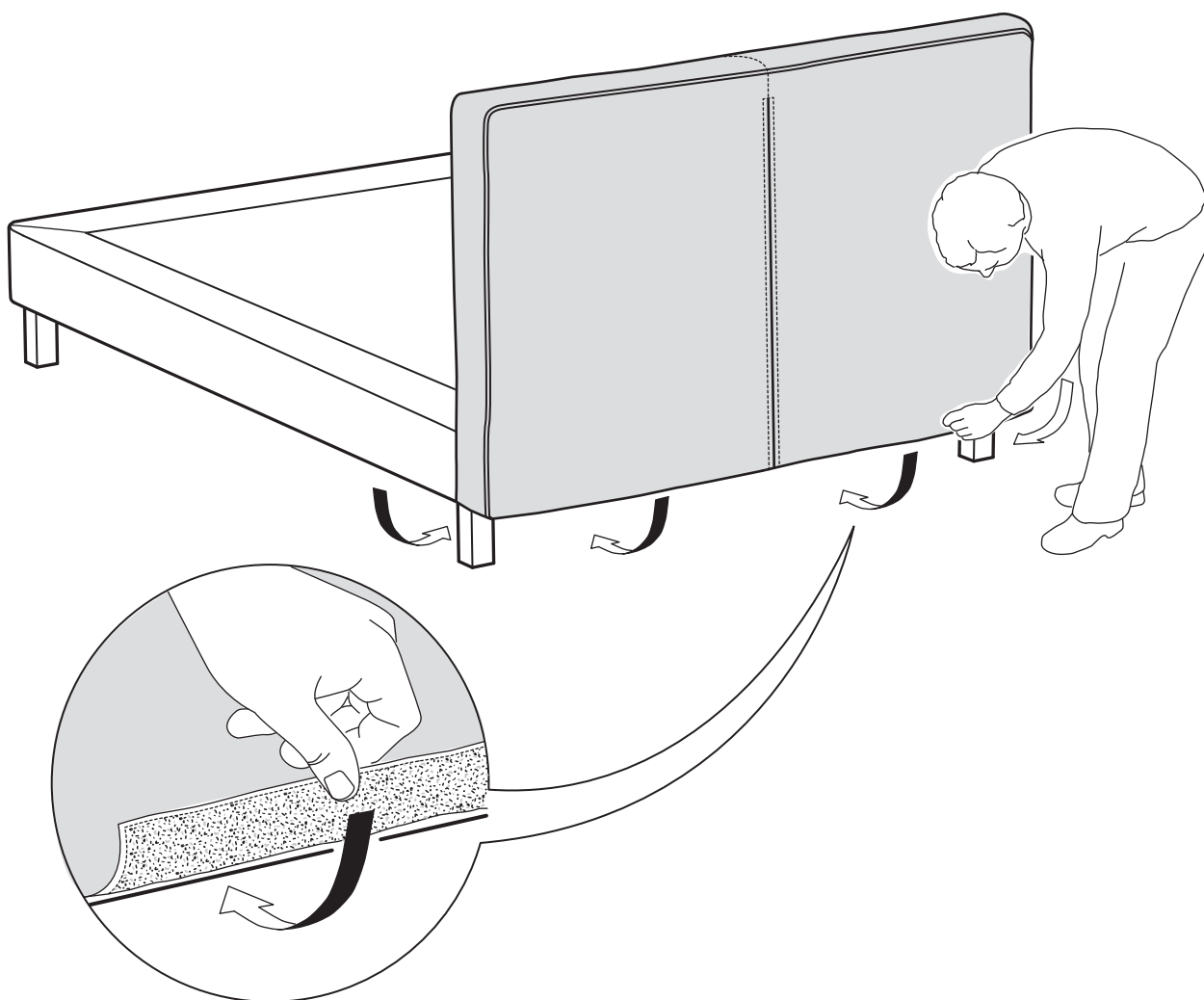
10

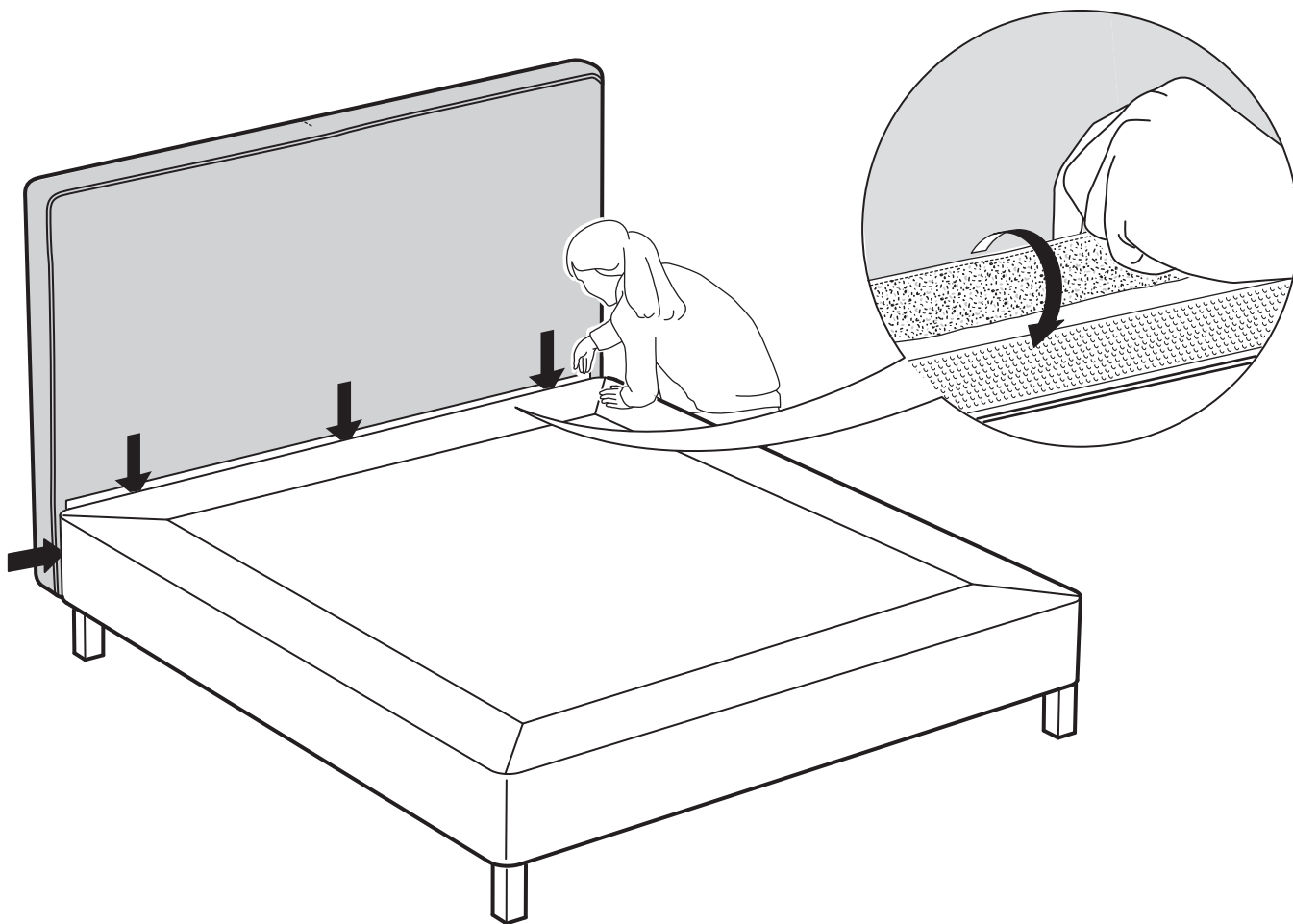


11

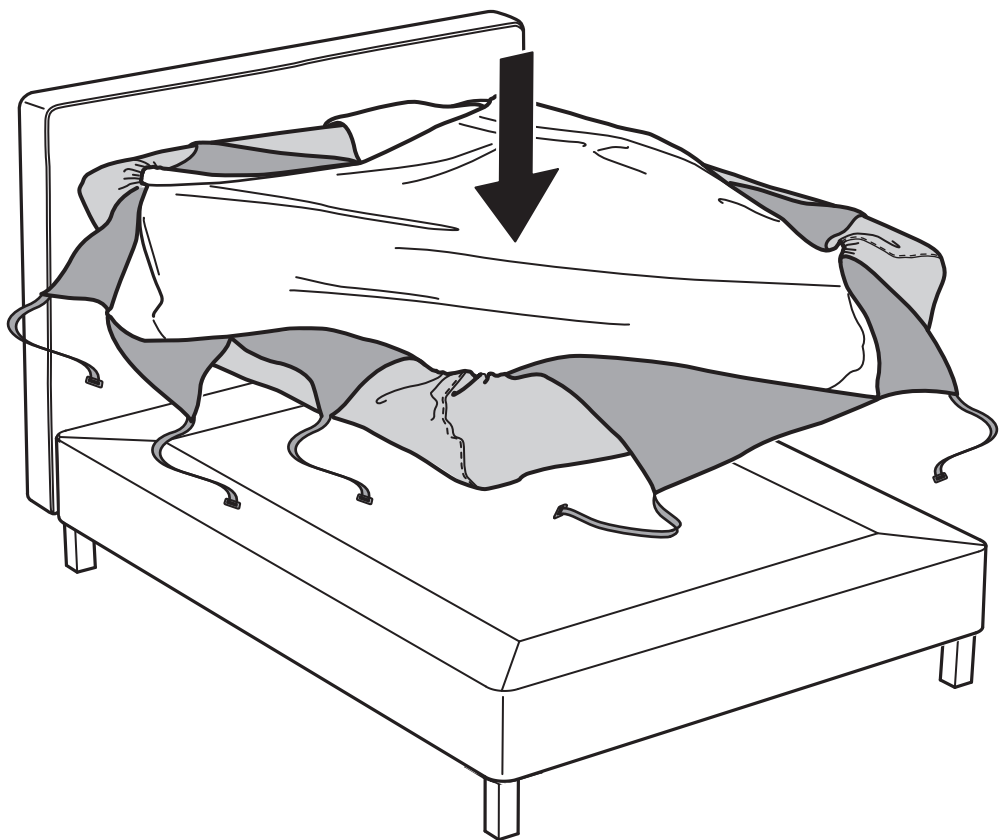
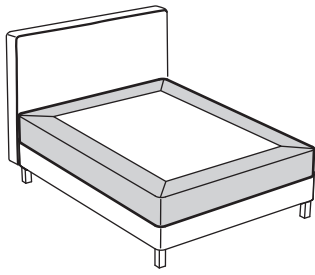


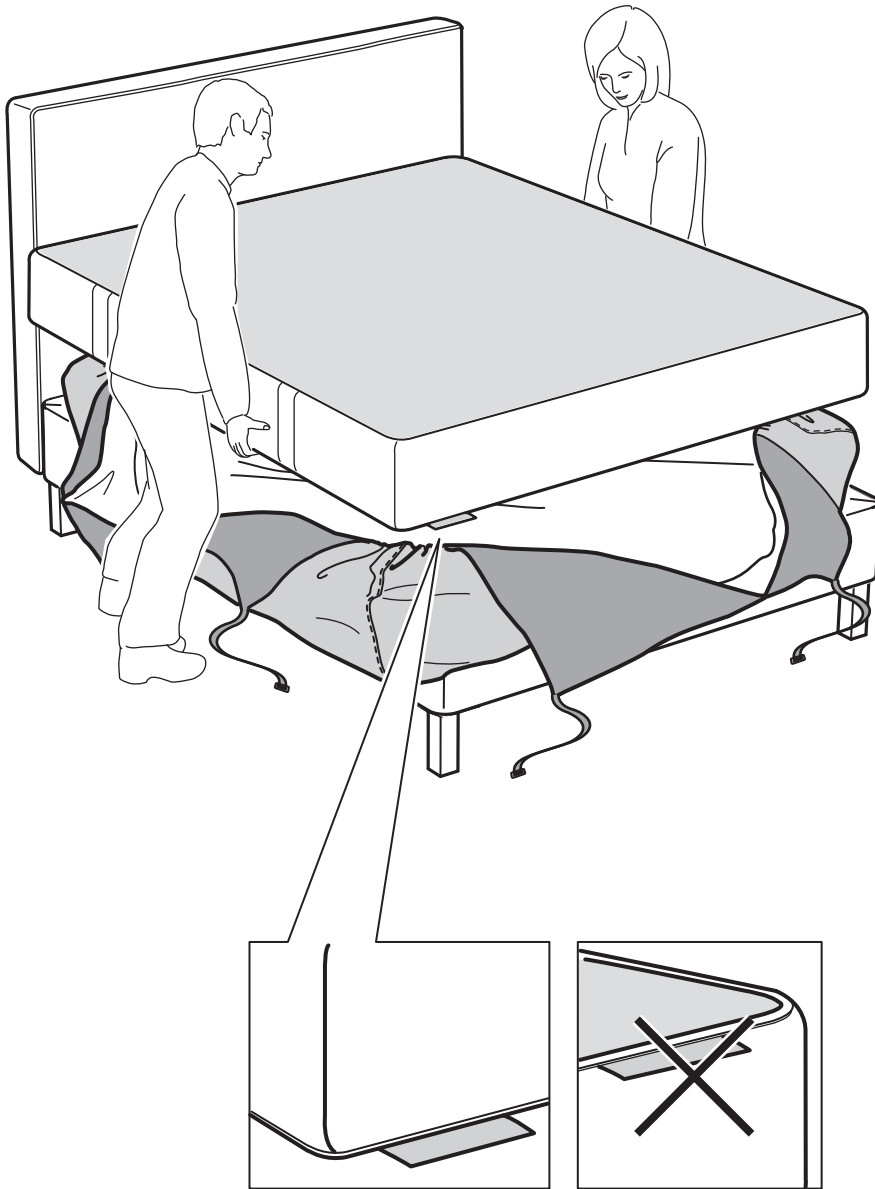


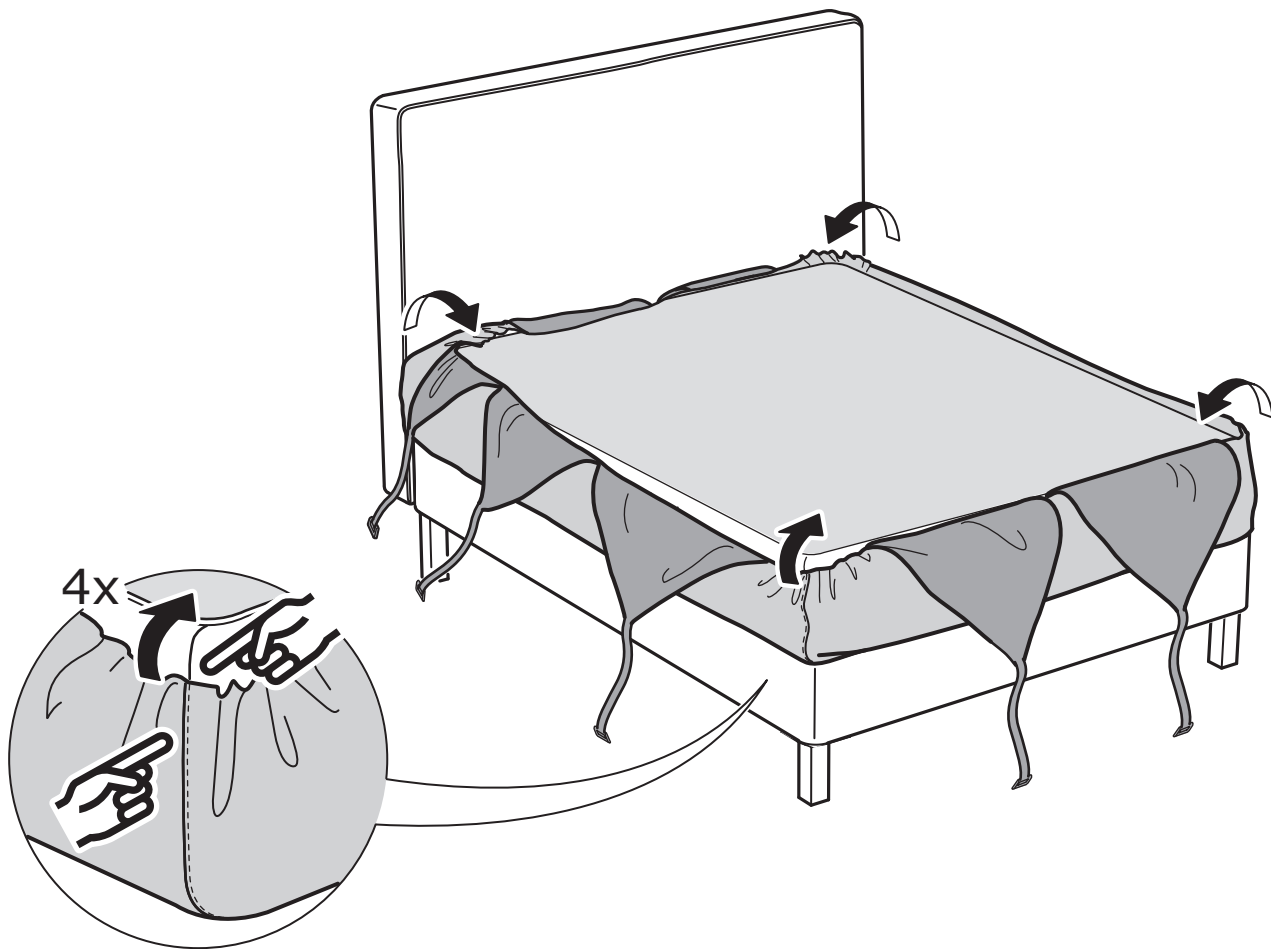




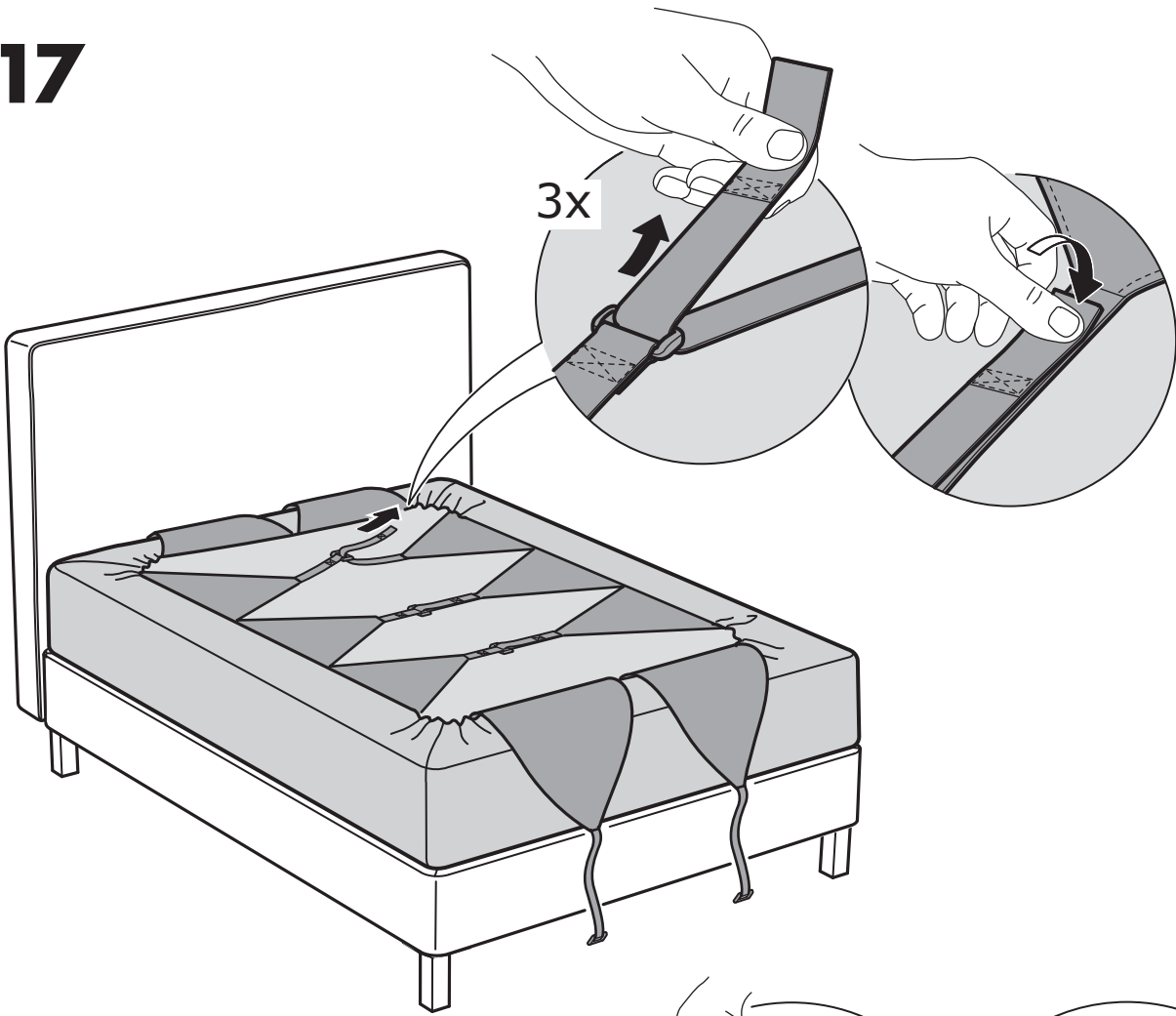
14



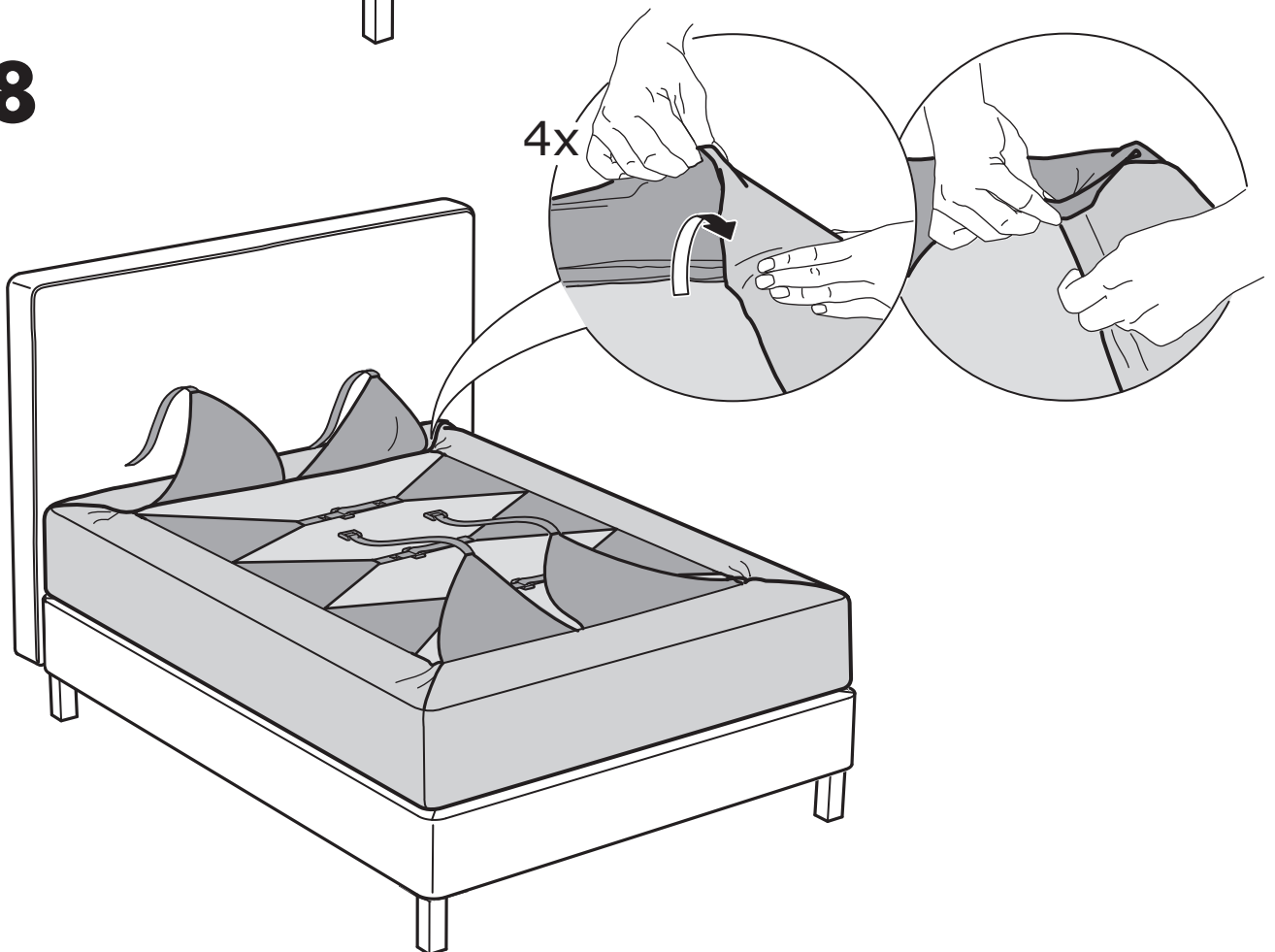




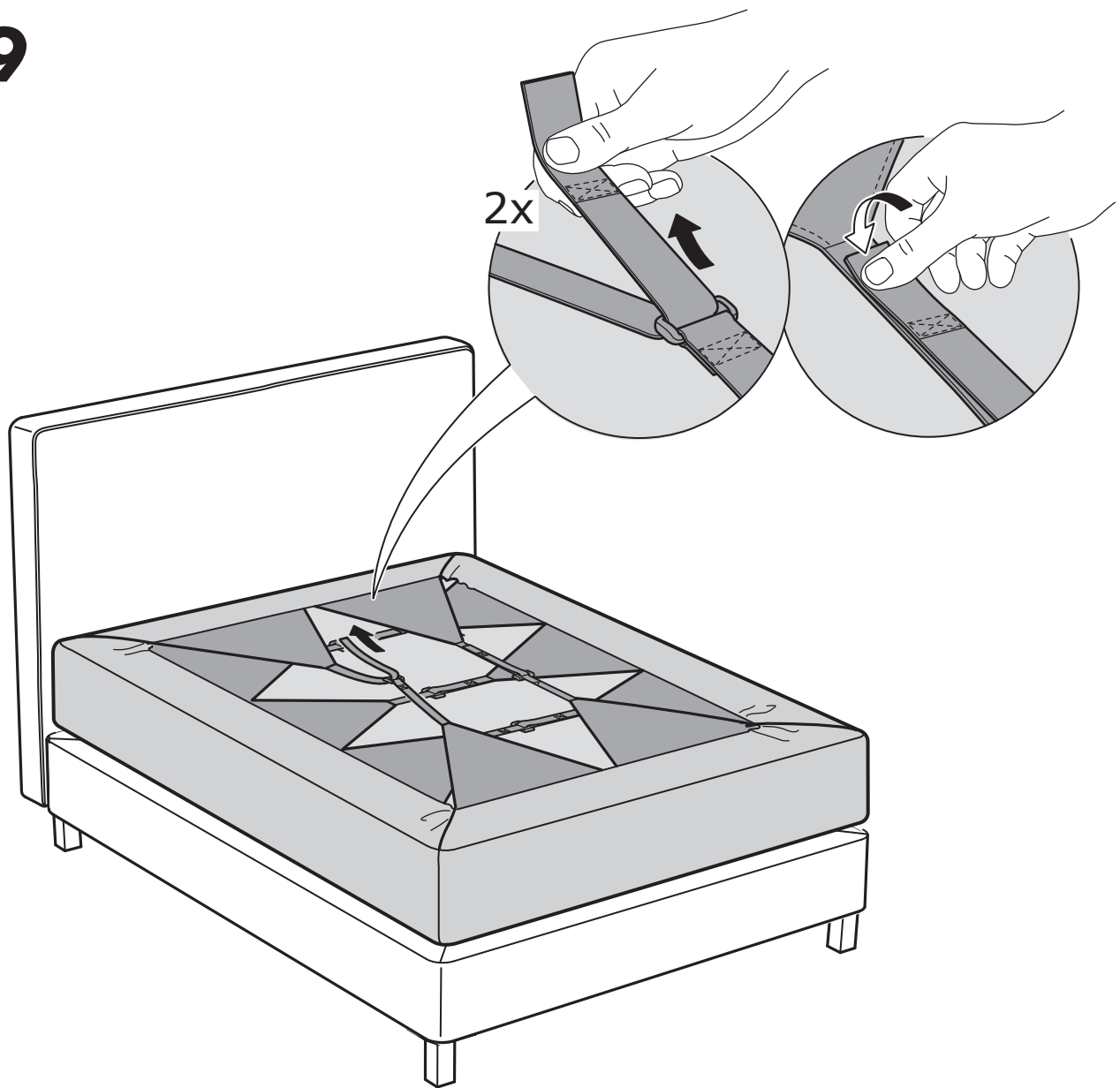
**17**



**18**



19



20

