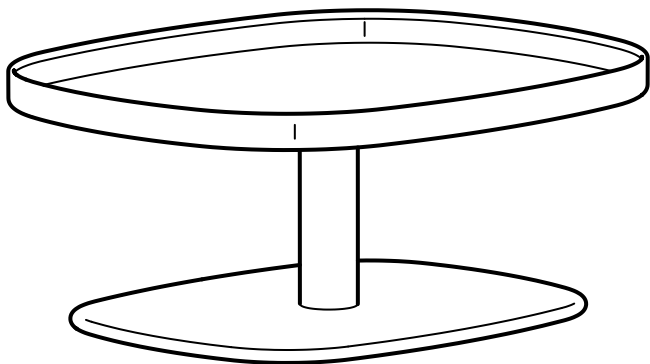
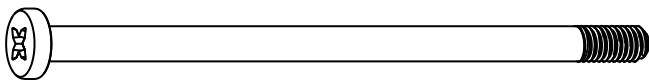
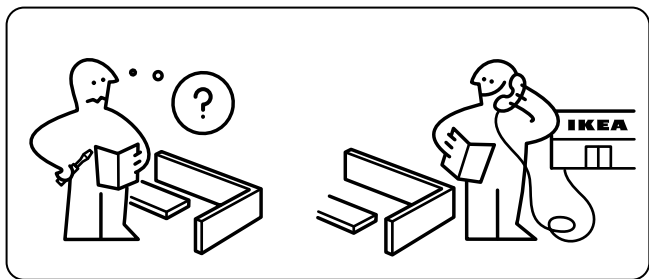
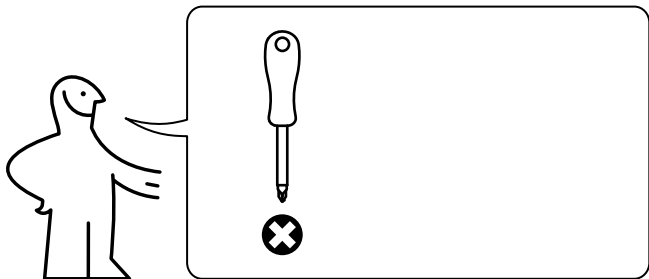


# KRUSTISTEL

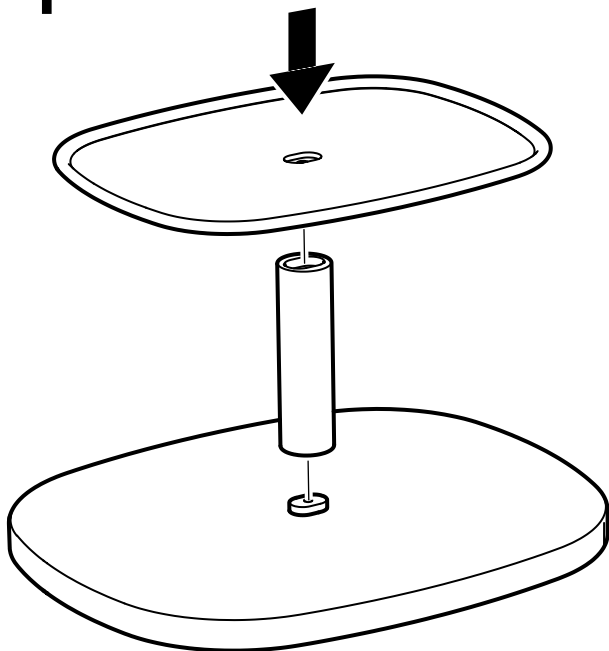


Design and Quality  
IKEA of Sweden



1x

1



2

